



US00D544050S

(12) **United States Design Patent**
Webber

(10) **Patent No.:** **US D544,050 S**

(45) **Date of Patent:** **** Jun. 5, 2007**

(54) **BODY WEIGHT EXERCISE APPARATUS**

Vertical Knee Raise/Chin/Dip, Life Fitness a.k.a. Brunswick Corporation Brochure, 1999.

(76) Inventor: **Randall T. Webber**, 1265 Park Row,
La Jolla, CA (US) 92037

PS3 Power Stand, Keys Fitness Brochure, Date Unknown.
VKR/Dip and Chin-Up Attachment, Nautilus Fitness Products, 2001.

(**) Term: **14 Years**

VKRB-6699, Trust Right Inc. Brochure, Date Unknown.

(21) Appl. No.: **29/243,751**

* cited by examiner

(22) Filed: **Nov. 30, 2005**

Primary Examiner—Philip S. Hyder

(51) **LOC (8) Cl.** **21-02**

(57) **CLAIM**

(52) **U.S. Cl.** **D21/686**

The ornamental design for a body weight exercise apparatus, as shown.

(58) **Field of Classification Search** D21/662,
D21/686, 691; 482/38, 39, 41, 96, 123, 130
See application file for complete search history.

DESCRIPTION

(56) **References Cited**

FIG. 1 is a front perspective view of a body weight exercise apparatus in a first exercise position, showing my new design;

U.S. PATENT DOCUMENTS

D267,419 S *	12/1982	Komarnicki	D21/691
4,620,701 A *	11/1986	Mojden	482/41
D300,157 S *	3/1989	Yates	D21/690
D320,823 S *	10/1991	Tanner	D21/686
D324,708 S *	3/1992	Walsh	D21/691
D339,835 S *	9/1993	Hsieh	D21/691
5,372,556 A *	12/1994	Ropp	482/41
5,407,404 A *	4/1995	Killian et al.	482/38
D372,059 S *	7/1996	Taylor	D21/691
D480,772 S *	10/2003	Washington	D21/686
D503,757 S *	4/2005	Sjurdagardi	D21/691

FIG. 2 is a front elevational view thereof;

FIG. 3 is a right side elevational view thereof;

FIG. 4 is a left side elevational view thereof;

FIG. 5 is a top plan view thereof;

FIG. 6 is a rear elevational view thereof;

FIG. 7 is a bottom plan view thereof;

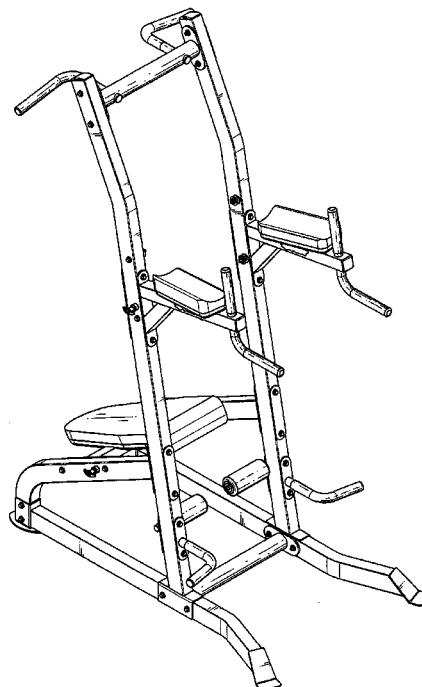
FIG. 8 is a front perspective view of the body weight exercise apparatus of FIGS. 1 through 7 but with the back pad in an alternate position; and,

FIG. 9 is a right side elevation view of the body weight exercise apparatus of FIG. 8.

OTHER PUBLICATIONS

2 pages from Google image search for Dip pull up.*
VKR-41 Vertical Knee Raise, MCD-15 Chin/Dip Stand, Tuff Stuff Brochure, Date Unknown.
Vertical Knee Raise Station, Paramount Fitness Brochure, 1999.

1 Claim, 9 Drawing Sheets



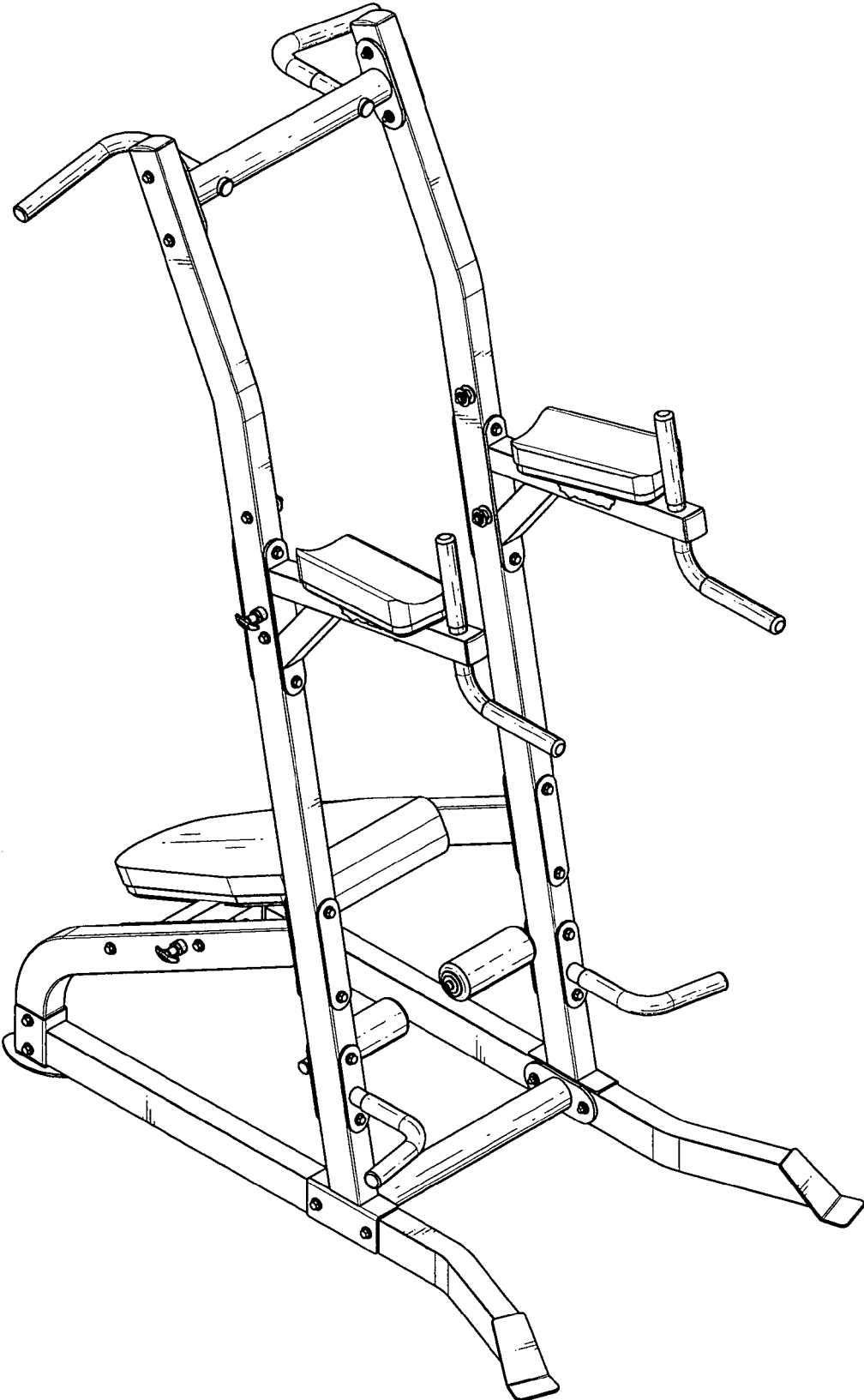


FIG. 1

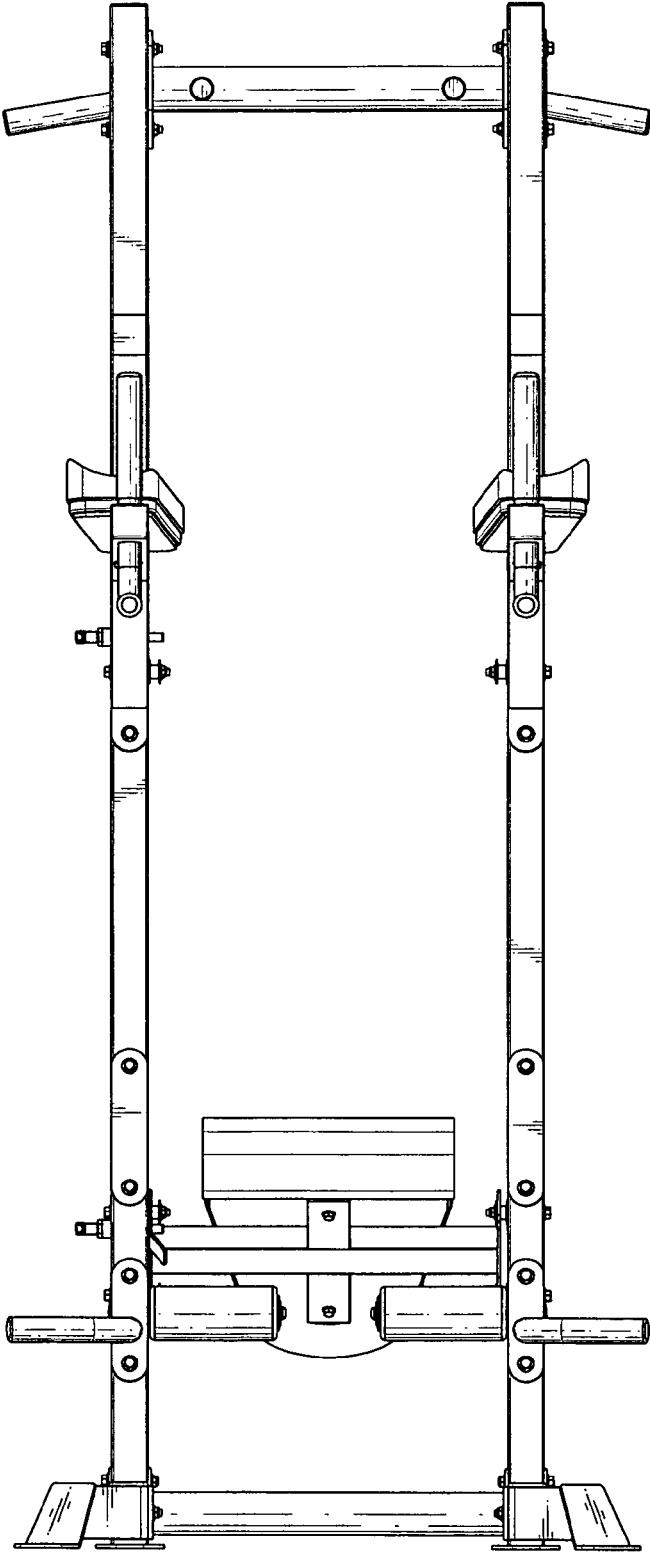


FIG. 2

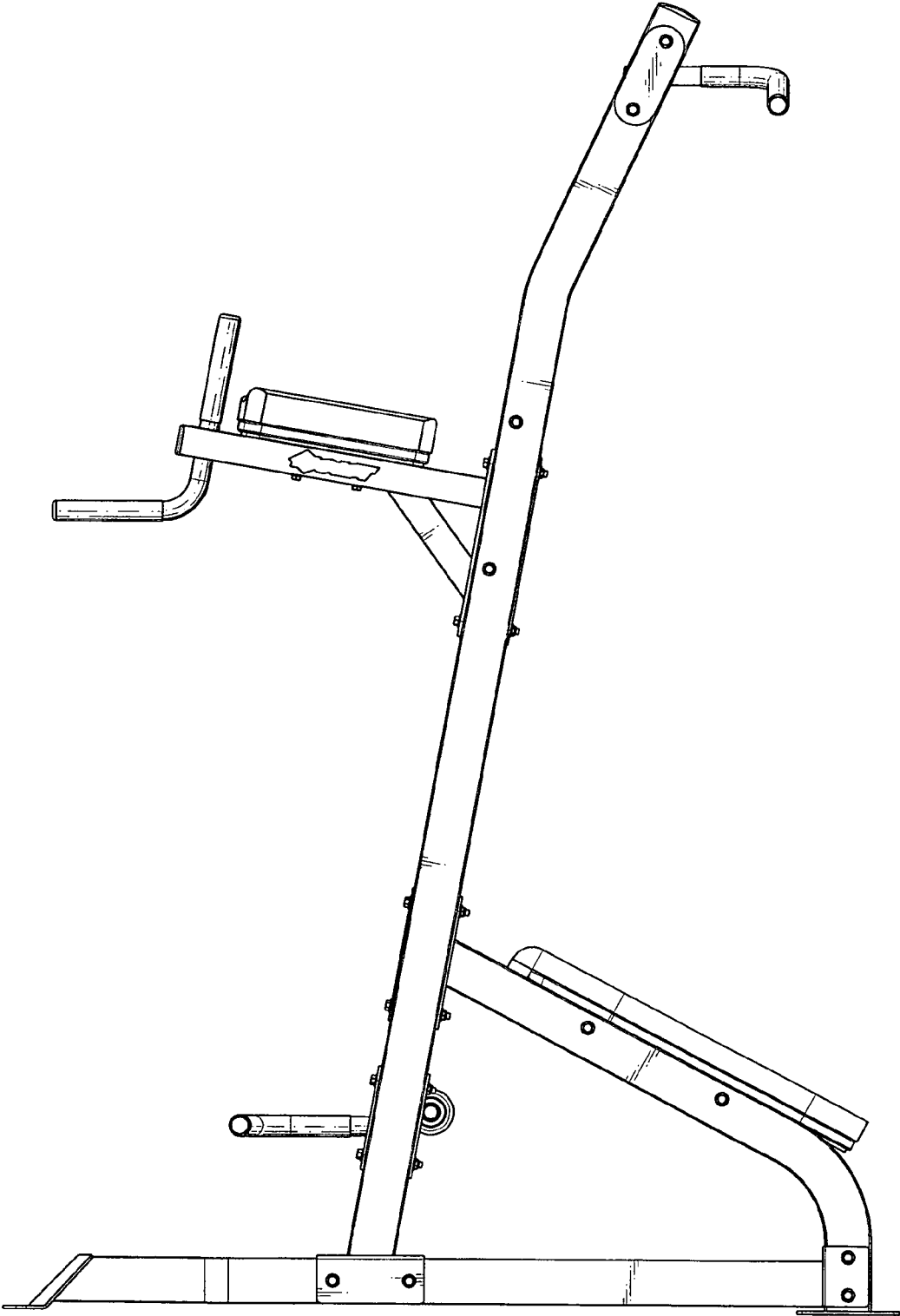


FIG. 3

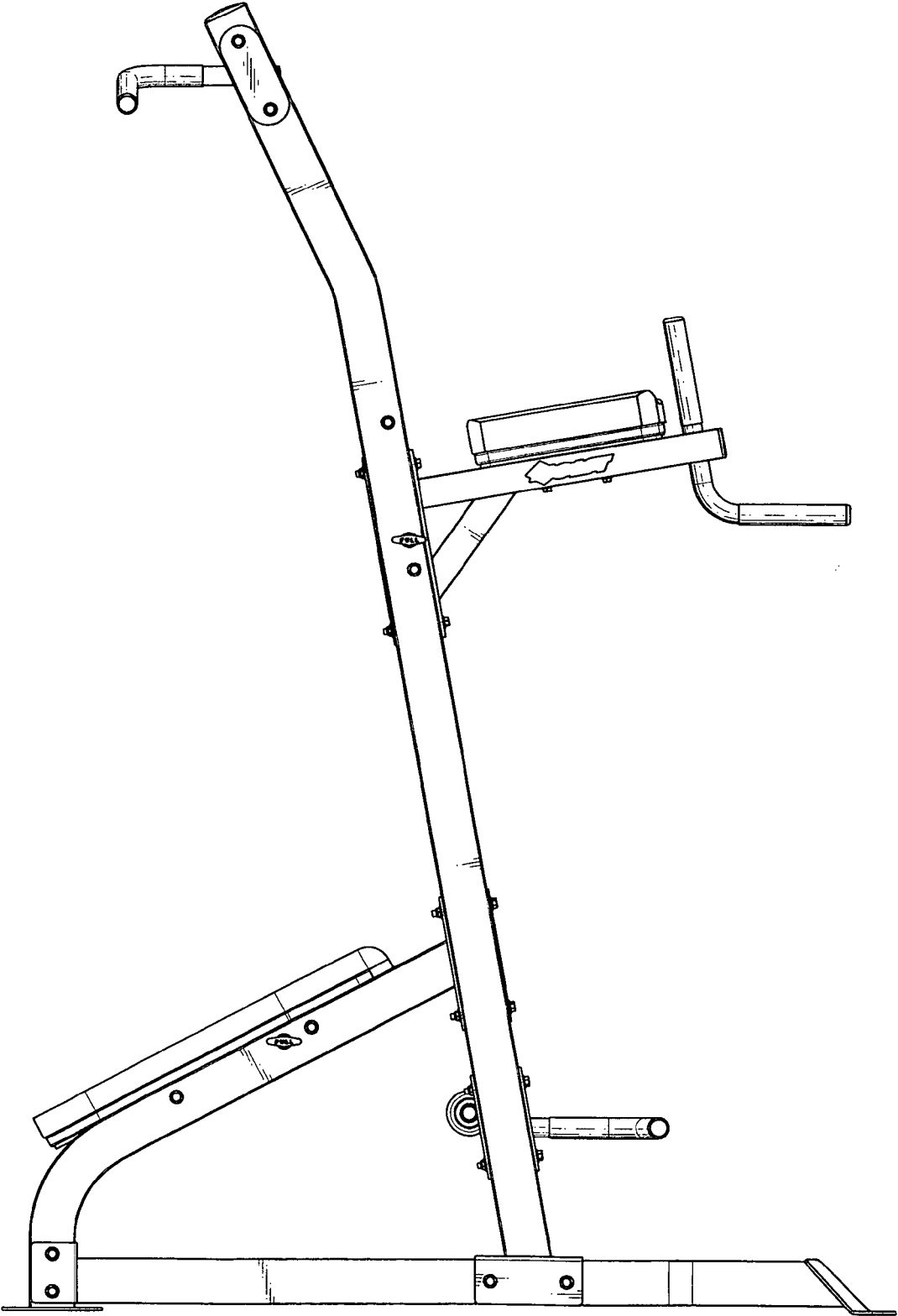


FIG. 4

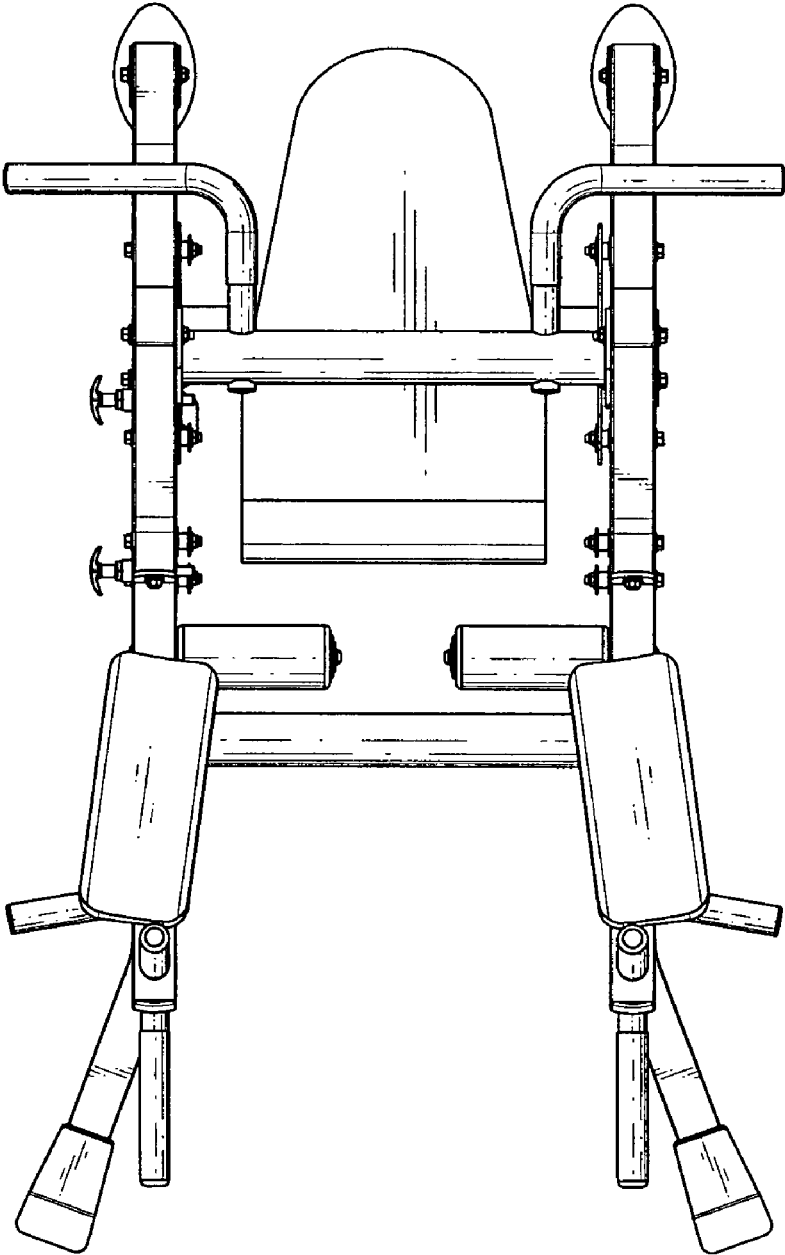


FIG. 5

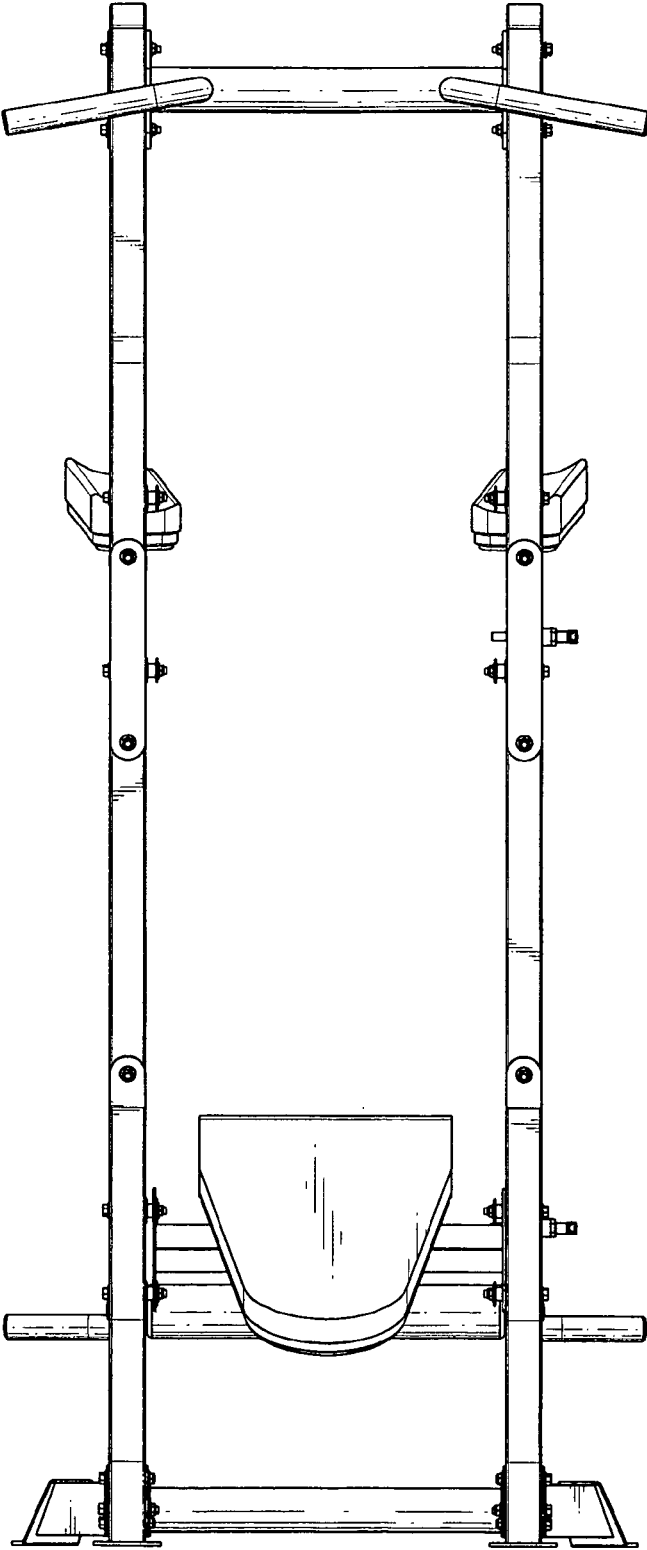


FIG. 6

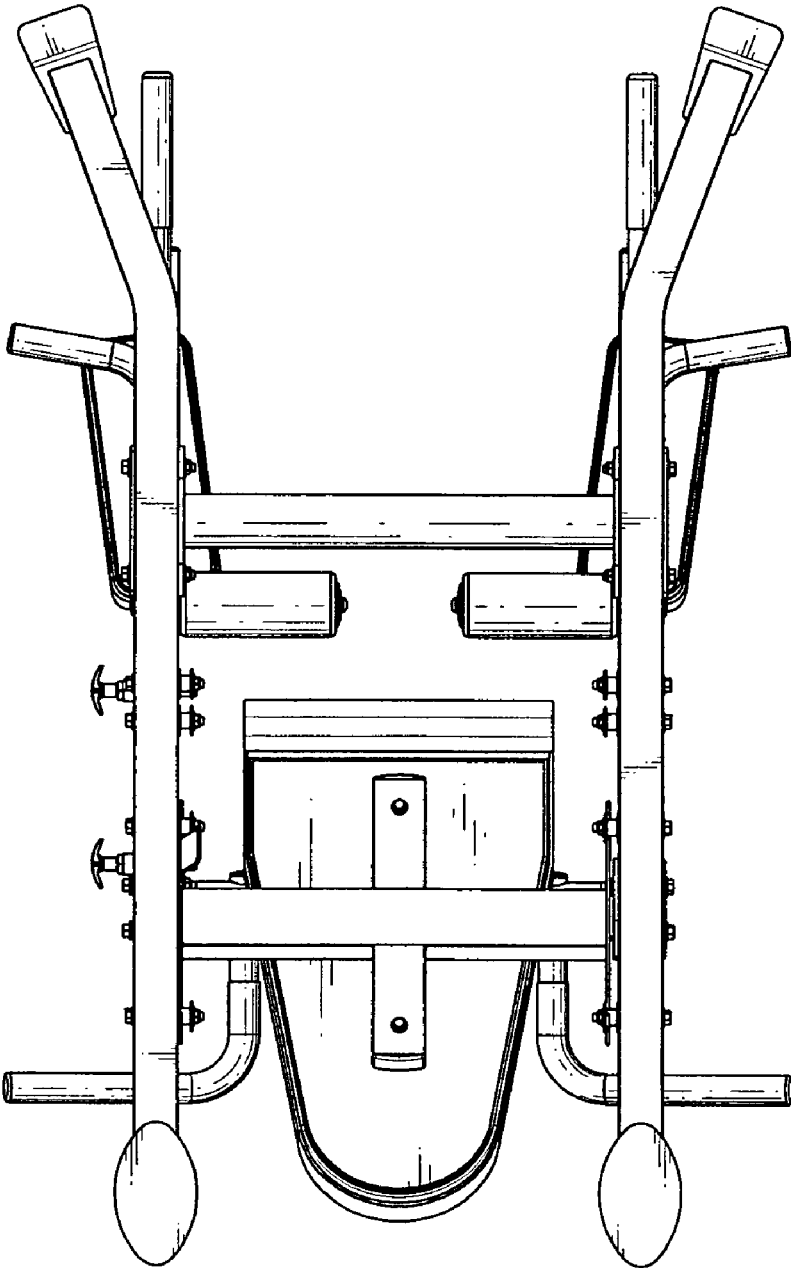


FIG. 7

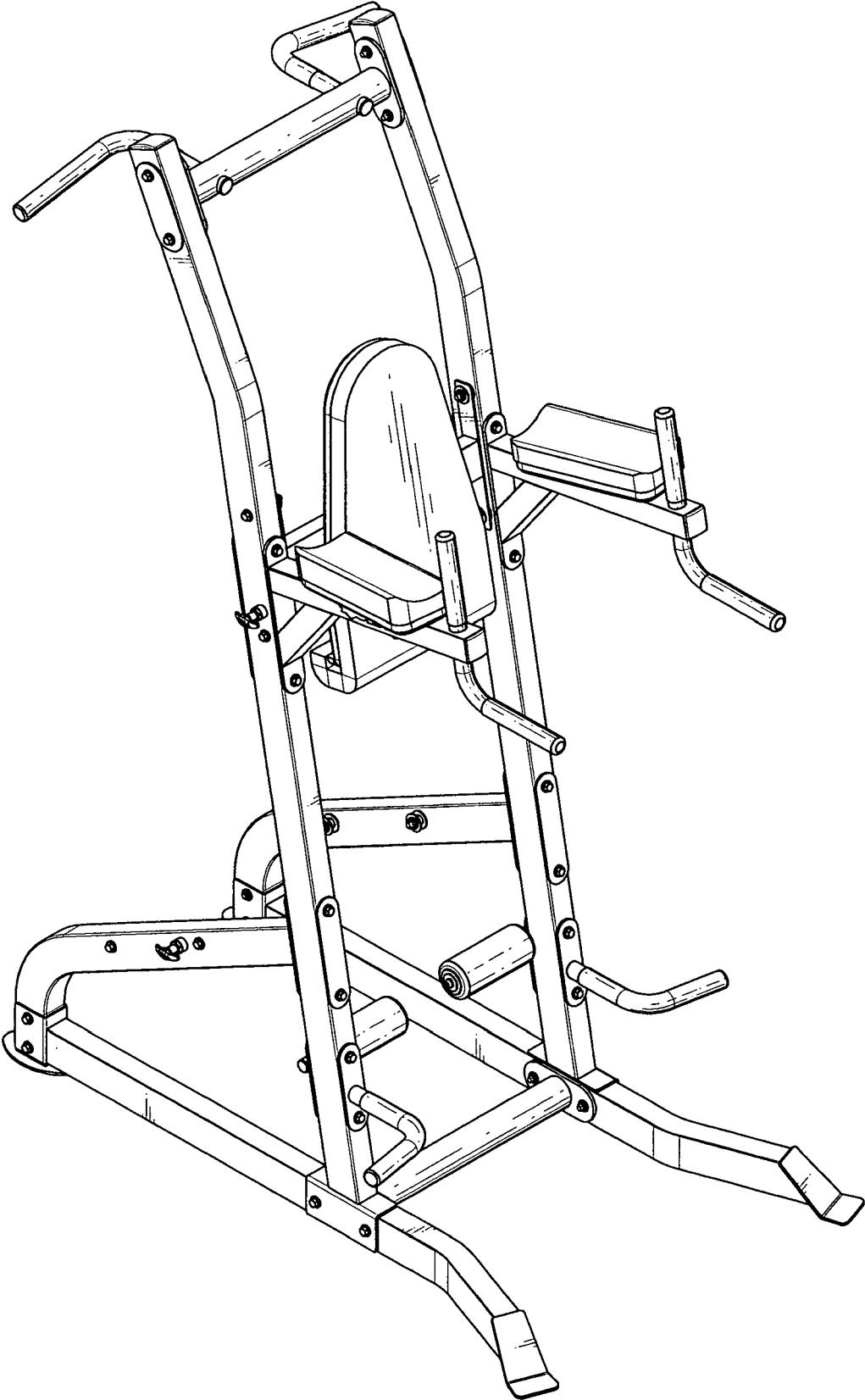


FIG. 8

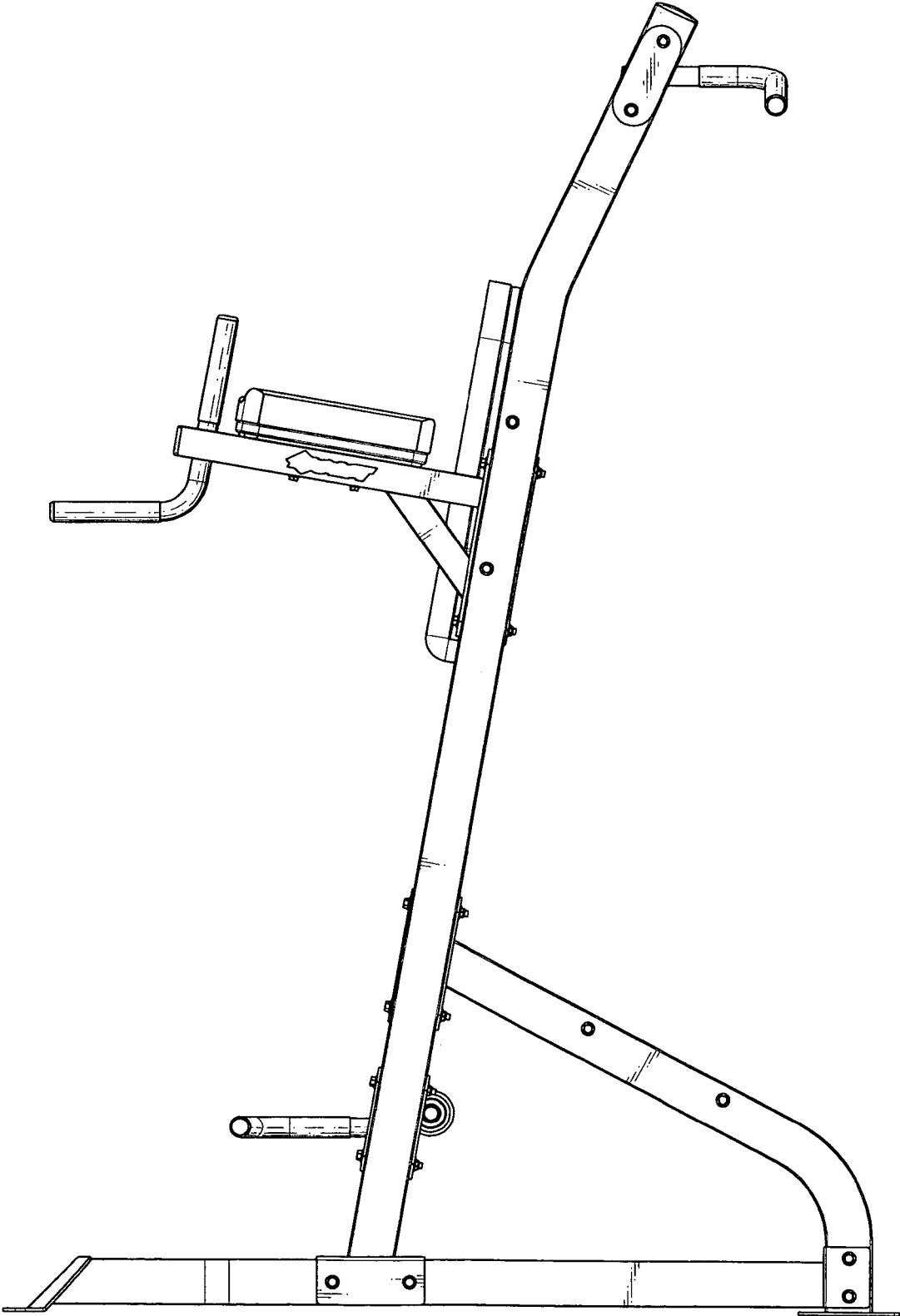


FIG. 9