



US00D455310S

(12) **United States Design Patent**
Webber

(10) **Patent No.:** **US D455,310 S**
(45) **Date of Patent:** **** Apr. 9, 2002**

(54) **VERTICAL DUMBBELL RACK**

(76) **Inventor:** **Randall T. Webber**, 100 Harbor Dr.,
#1404, San Diego, CA (US) 92101

(**) **Term:** **14 Years**

(21) **Appl. No.:** **29/135,693**

(22) **Filed:** **Jan. 17, 2001**

(51) **LOC (7) Cl.** **06-04**

(52) **U.S. Cl.** **D6/552; D21/686**

(58) **Field of Search** D21/662, 686,
D21/690; D6/552, 568; 452/104, 148; 211/85

(56) **References Cited**

U.S. PATENT DOCUMENTS

D312,017 S	*	11/1990	Gould	D6/552
D329,563 S		9/1992	Rasmussen	D6/552
D362,776 S	*	10/1995	Thorn	D6/552
5,630,776 A	*	5/1997	Yang	482/104
D424,141 S	*	5/2000	Eckmann	D21/686

OTHER PUBLICATIONS

Dumbbell and Beauty bell Racks, Cybex 1996.
Beauty Bell and Dumbbell Racks, Icarian Fitness Brochure,
date unknown.
Vertical Dumbbell Rack, York Brochure, date unknown.

Vertical Beauty Belle Rack, Absport Brochure, undated.
Vertical Beauty Belle Rack, Speedart Brochure, 1994.
Vertical Rack System, Hampton Brochure, Undated.

* cited by examiner

Primary Examiner—Philip S. Hyder

(74) *Attorney, Agent, or Firm*—Brown, Martin, Haller &
McClain, LLP

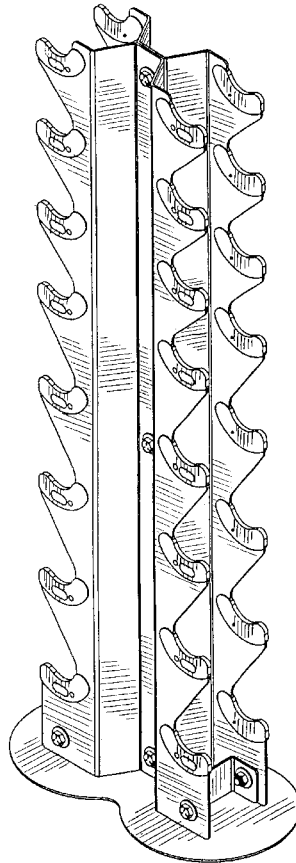
(57) **CLAIM**

The ornamental design for a vertical dumbbell rack, as
shown.

DESCRIPTION

FIG. 1 is a perspective view of a vertical dumbbell rack
showing my new design;
FIG. 2 is a rear elevational view thereof;
FIG. 3 is a top plan view thereof;
FIG. 4 is a side elevational view, the opposite side being a
mirror image thereof;
FIG. 5 is a front elevational view of a shortened configura-
tion of the rack;
FIG. 6 is a side elevational view of the configuration of FIG.
5; and,
FIG. 7 is a top plan view thereof.

1 Claim, 2 Drawing Sheets



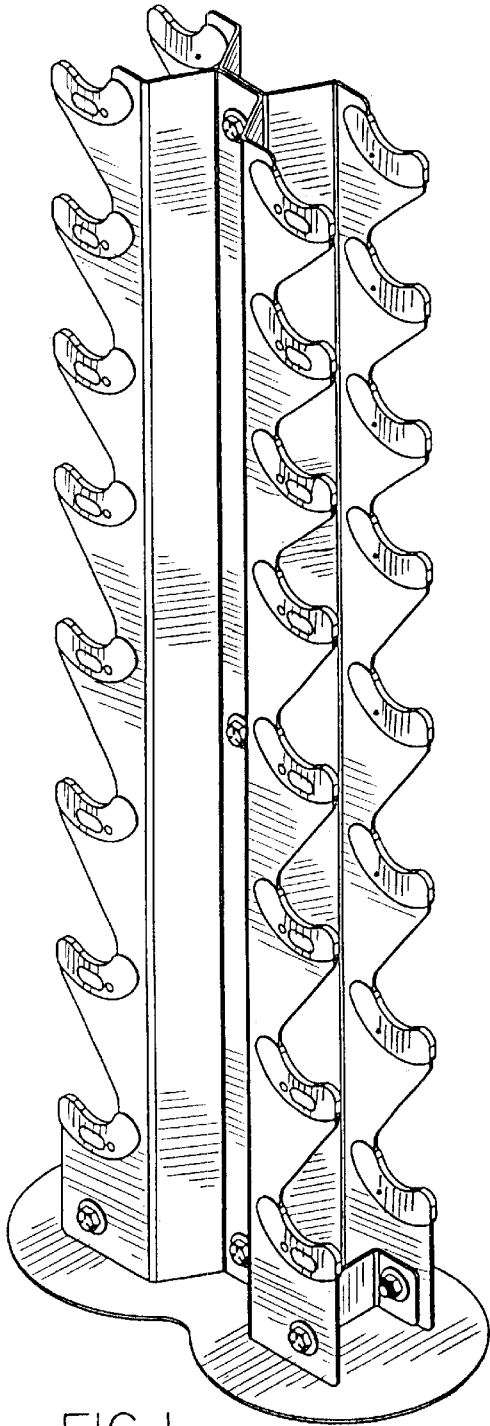


FIG. 1

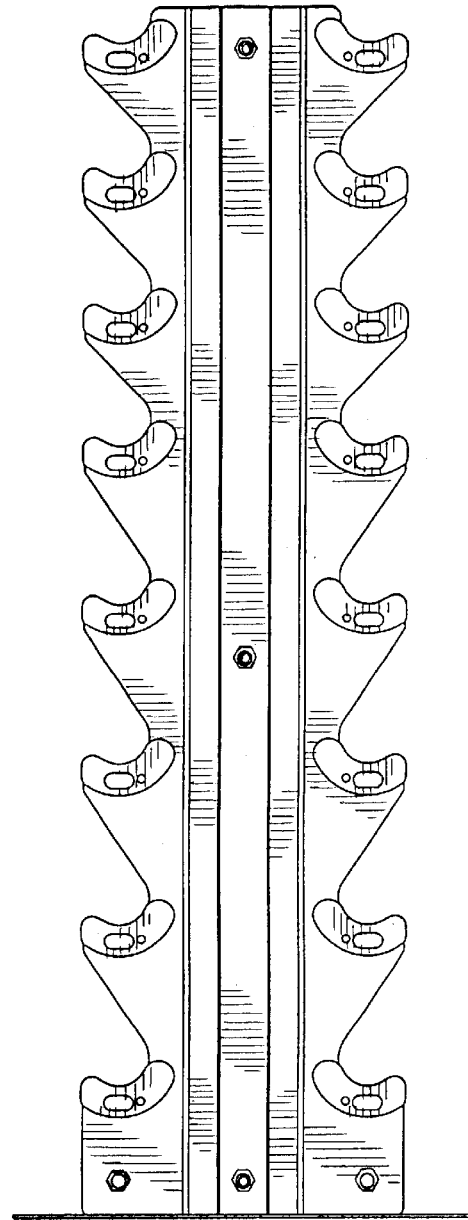


FIG. 2

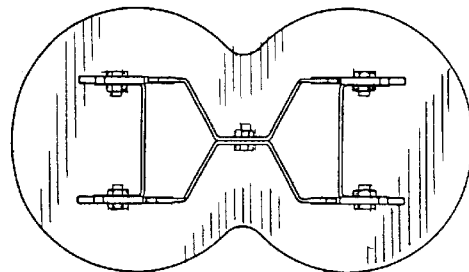


FIG. 3

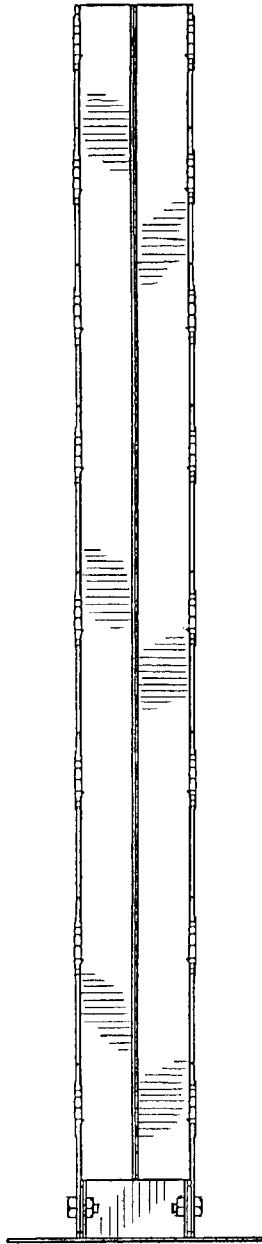


FIG. 4

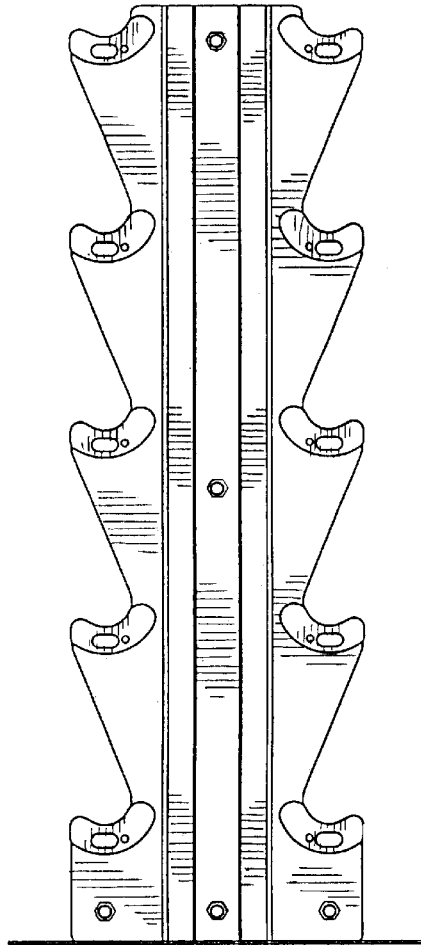


FIG. 5

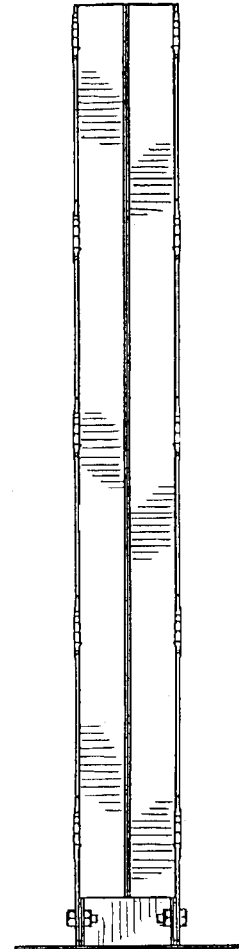


FIG. 6

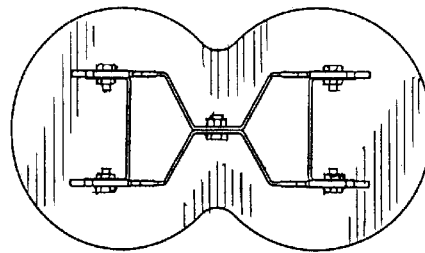


FIG. 7