



(12) **United States Design Patent**  
**MacIntyre**

(10) **Patent No.:** **US D599,999 S**  
(45) **Date of Patent:** **\*\* Sep. 15, 2009**

(54) **PORTION OF A FOOTWEAR UPPER**

EP 00718002-0006 4/2007

(75) Inventor: **Jennifer MacIntyre**, Santa Barbara, CA (US)

(73) Assignee: **Deckers Outdoor Corporation**, Goleta, CA (US)

(\*\*) Term: **14 Years**

(21) Appl. No.: **29/326,868**

(22) Filed: **Oct. 27, 2008**

(51) **LOC (9) Cl.** ..... **02-99**

(52) **U.S. Cl.** ..... **D2/970; D2/911; D2/946**

(58) **Field of Classification Search** ..... D2/896,  
D2/909-915, 946, 970, 973, 974; 36/45,  
36/50.1, 83, 3 A, 7.1 R, 113

See application file for complete search history.

(56) **References Cited**

**U.S. PATENT DOCUMENTS**

D125,568 S *	3/1941	Hard	.....	D2/911
D155,573 S *	10/1949	Bingham	.....	D2/910
D159,577 S *	8/1950	Stromberg	.....	D2/900
D159,761 S *	8/1950	Barron	.....	D2/910
D227,197 S *	6/1973	Fukuoka	.....	D2/910
D319,332 S *	8/1991	Itzkowitz	.....	D2/910
D481,863 S *	11/2003	Belley et al.	.....	D2/970
D529,269 S *	10/2006	Belley et al.	.....	D2/970
D539,024 S	3/2007	Belley et al.		
D581,140 S	11/2008	Earle		

**FOREIGN PATENT DOCUMENTS**

DE 40702148 8/2007

**OTHER PUBLICATIONS**

UGG Australia, Bipster model, p. 1, Oct. 3, 2008.  
UGG Australia, Henry model, p. 1, Oct. 3, 2008.  
UGG Australia, Erin model, p. 1, Oct. 3, 2008.  
UGG Australia, Cove model, p. 1, Oct. 27, 2008.  
UGG Australia, Kona model, p. 1, Oct. 27, 2008.  
Catalogue Moscow Shoes, summer 2006, p. 2 top center.  
Steve Madden MISSYY Brown Suede boot, www.jildorshoes.com, Dec. 9, 2008.

\* cited by examiner

*Primary Examiner*—Stella M Reid

*Assistant Examiner*—Rashida C McCoy

(74) *Attorney, Agent, or Firm*—Greer, Burns & Crain, Ltd.

(57) **CLAIM**

The ornamental design for a portion of a footwear upper, as shown and described.

**DESCRIPTION**

FIG. 1 is a perspective view of a portion of a footwear upper showing my new design;

FIG. 2 is a side elevational view thereof;

FIG. 3 is an opposite side elevational view thereof;

FIG. 4 is a front elevational view thereof;

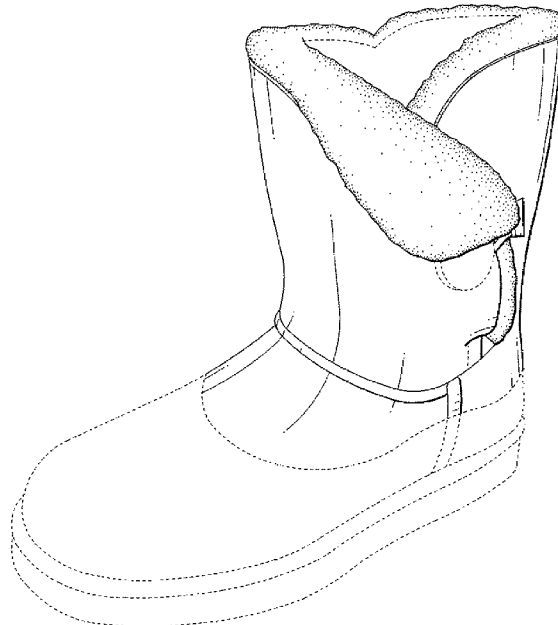
FIG. 5 is a rear elevational view thereof;

FIG. 6 is a top plan view thereof; and,

FIG. 7 is a bottom plan view thereof.

The broken lines in FIGS. 1-7 represent portions of the footwear that form no part of the claimed design. The broken line which defines the bounds of the claimed design forms no part thereof.

**1 Claim, 6 Drawing Sheets**



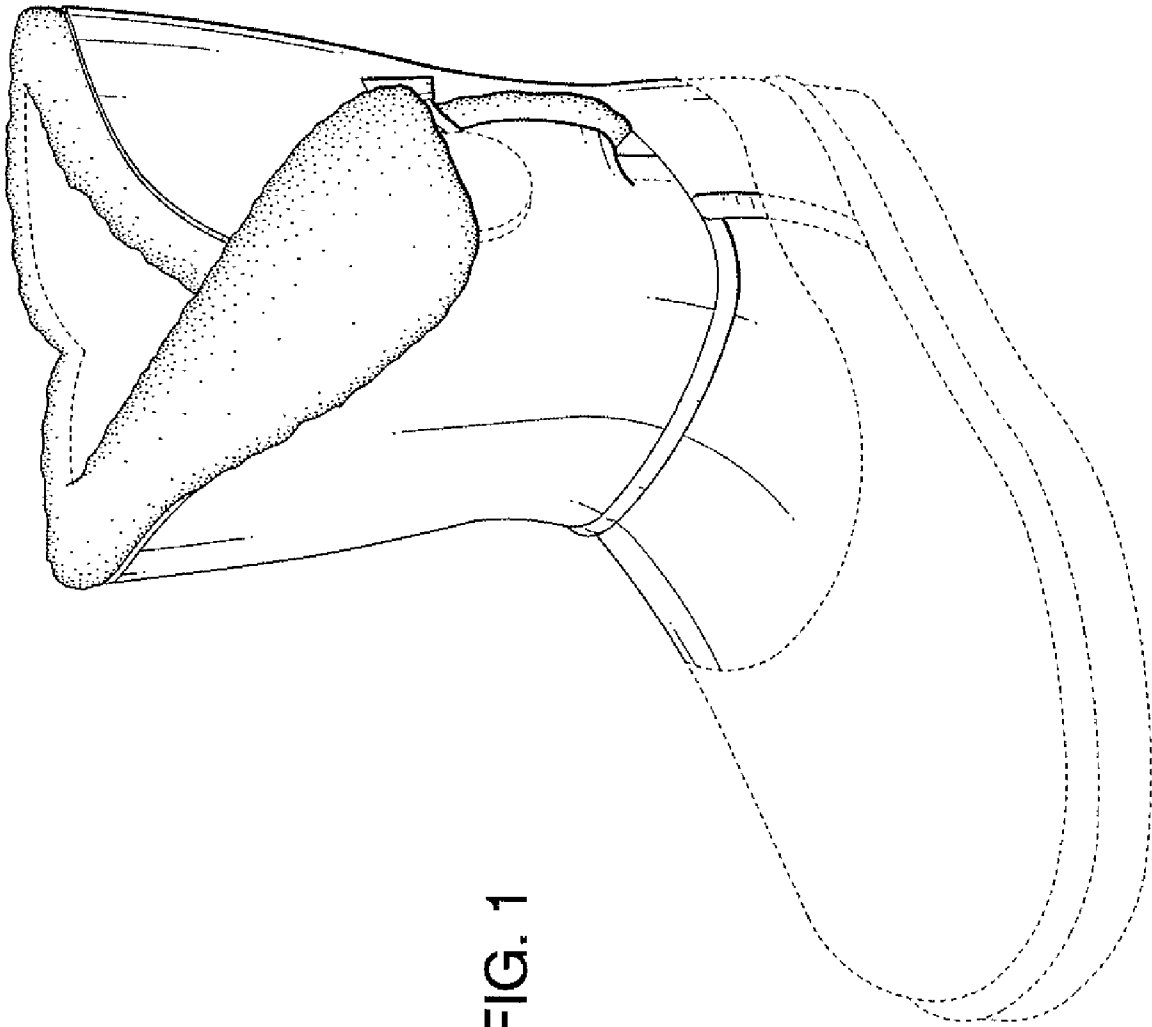


FIG. 1

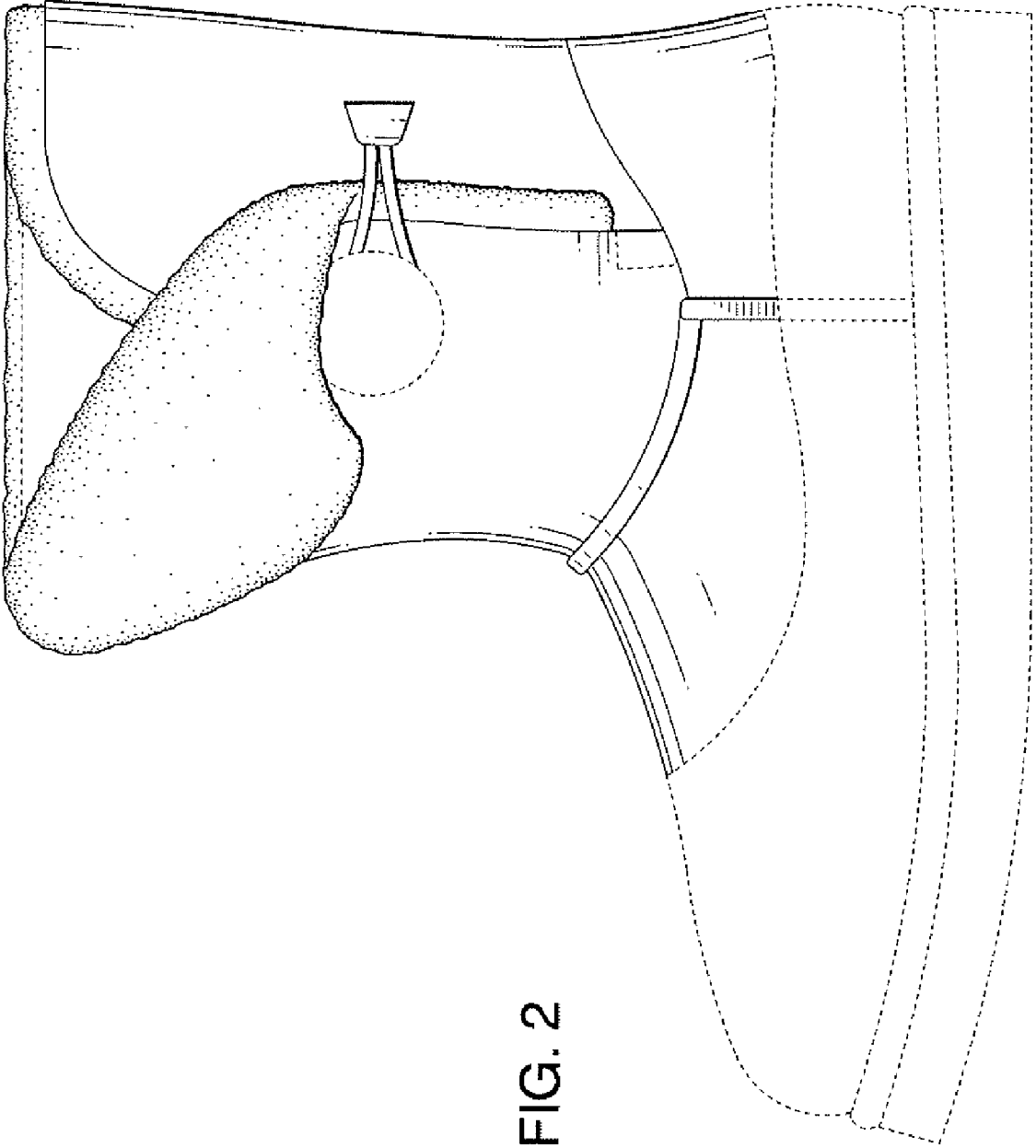


FIG. 2

FIG. 3

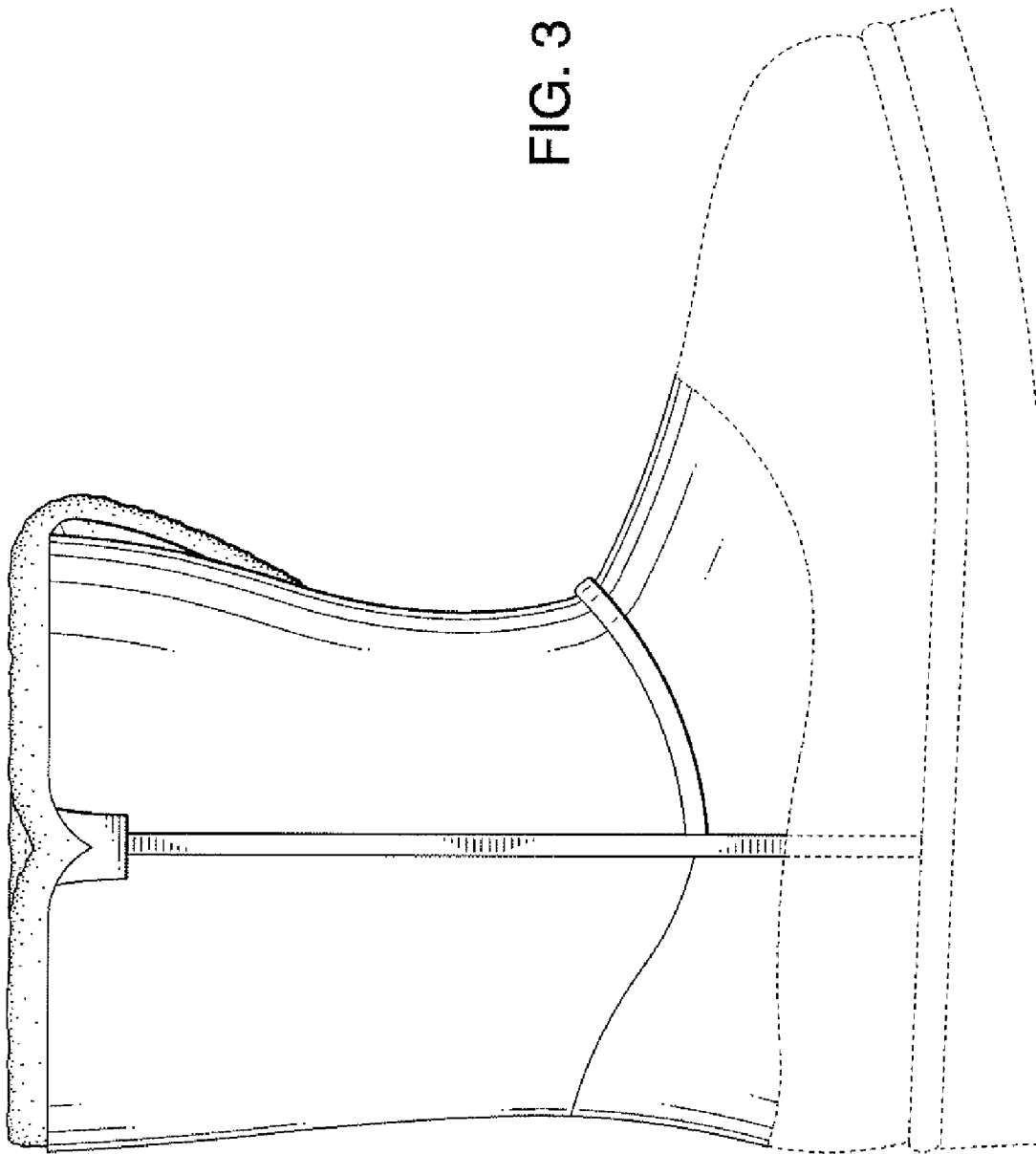


FIG. 5

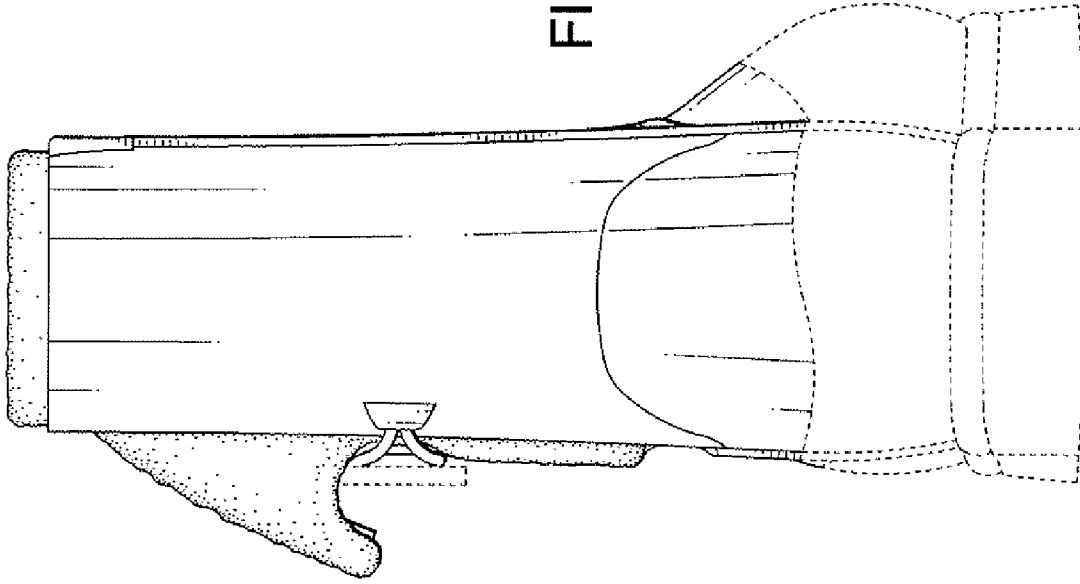
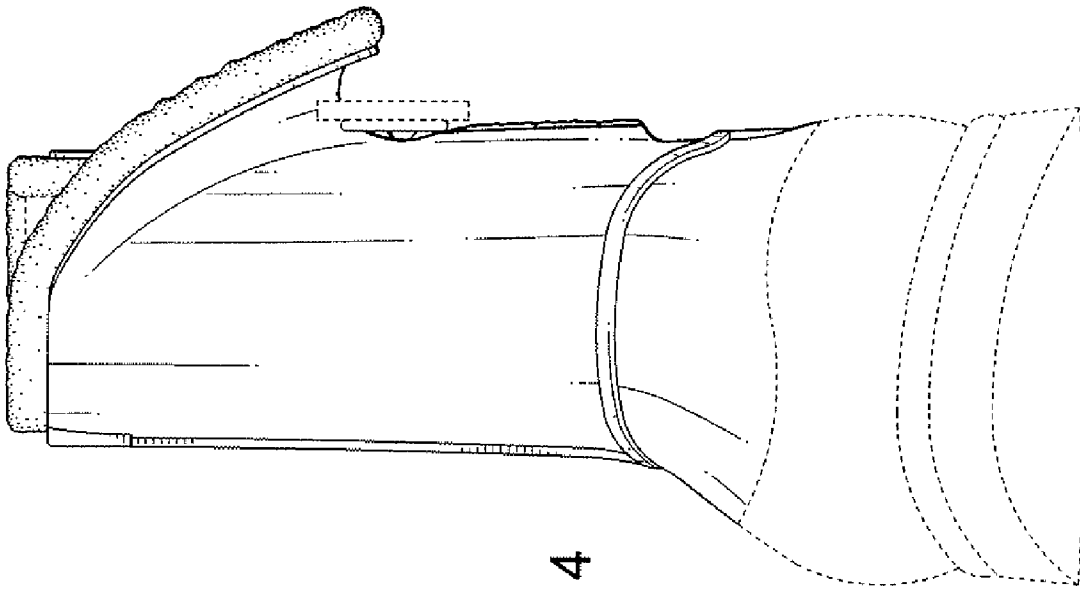


FIG. 4



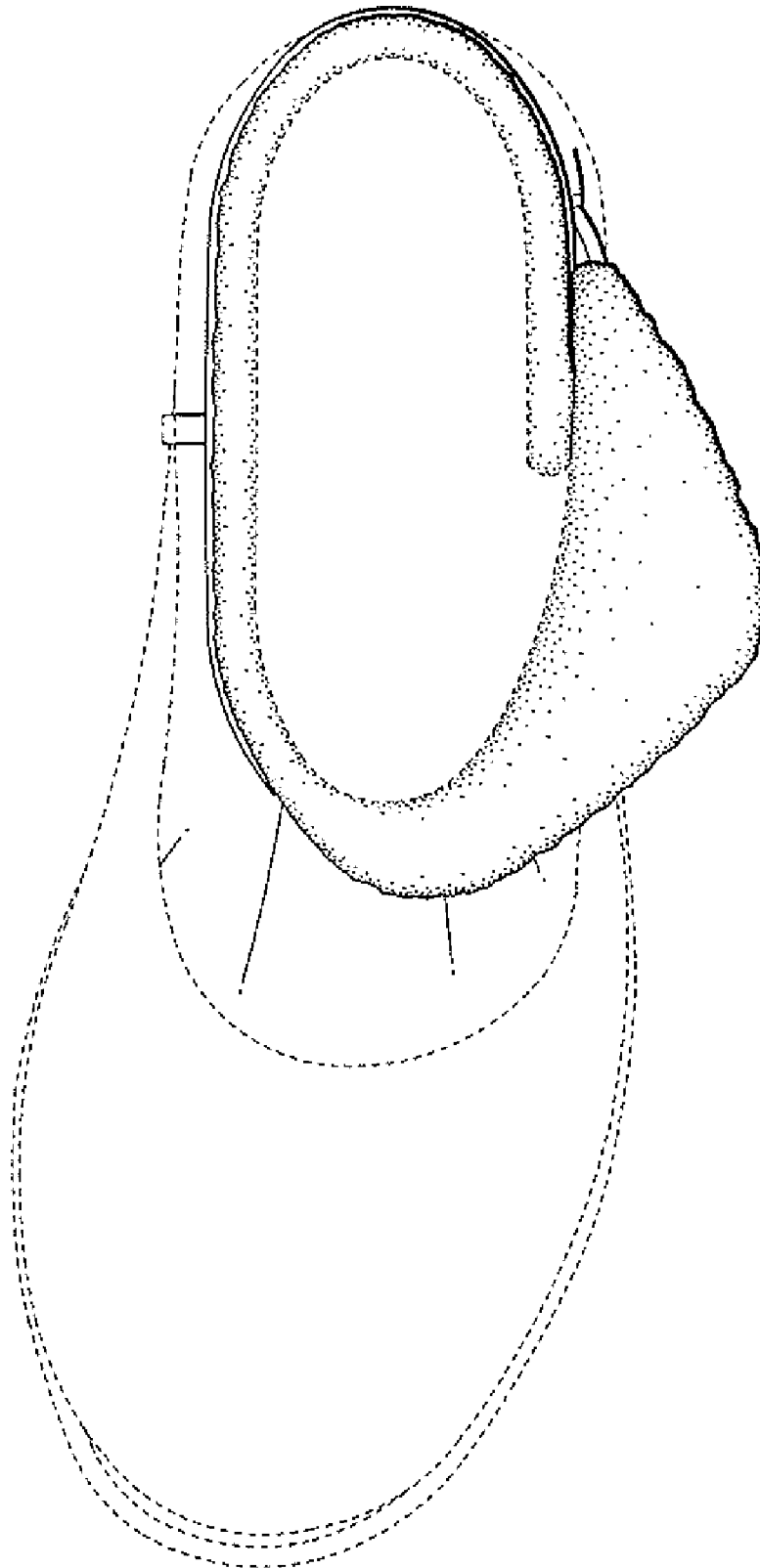


FIG. 6

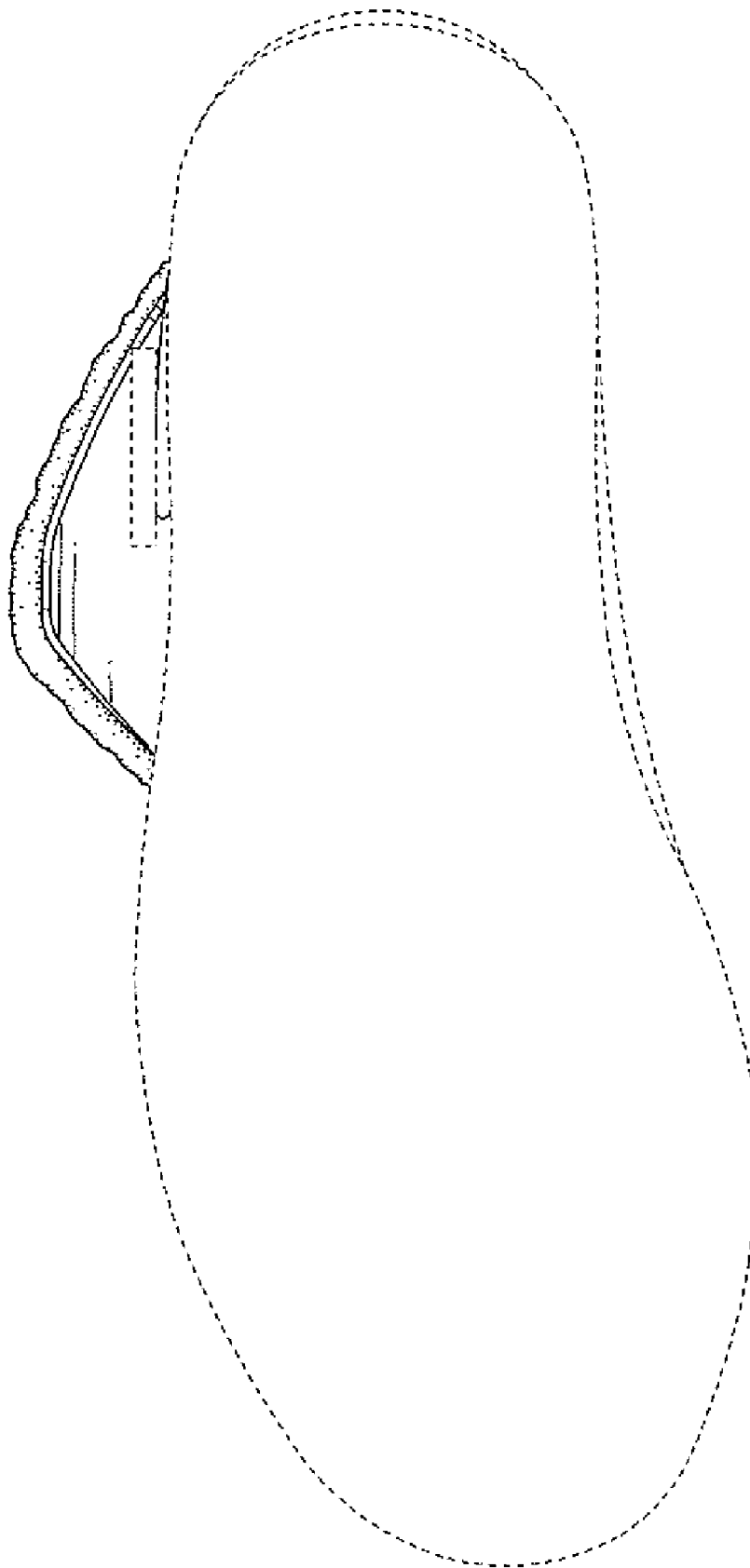


FIG. 7