



US00D617465S

(12) **United States Design Patent**
Hakim

(10) **Patent No.:** **US D617,465 S**

(45) **Date of Patent:** **** Jun. 8, 2010**

(54) **DRINKING CUP**

(75) Inventor: **Nouri E. Hakim**, Monroe, LA (US)

(73) Assignee: **Luv n' care, Ltd.**, Monroe, LA (US)

(**) Term: **14 Years**

(21) Appl. No.: **29/292,909**

(22) Filed: **Oct. 31, 2007**

- D318,921 S 8/1991 Chapin
- D326,796 S 6/1992 Kawano
- D327,393 S 6/1992 Green et al.
- D327,818 S 7/1992 Haralson et al.
- D330,084 S 10/1992 Kwang
- D338,532 S 8/1993 Burgess
- D340,771 S 10/1993 Levy et al.
- D342,574 S 12/1993 Cervantes et al.
- D346,932 S * 5/1994 Cautereels et al. D7/507
- D353,461 S 12/1994 Byrd

Related U.S. Application Data

(63) Continuation of application No. 10/536,106, filed as application No. PCT/US2003/024400 on Aug. 5, 2003.

(51) **LOC (9) Cl.** **07-01**

(52) **U.S. Cl.** **D24/197; D7/510**

(58) **Field of Classification Search** D24/193-199; D7/510-511, 392.1-392.2, 900, 523, 534; D9/537, 539, 542, 543, 545, 549, 551; 215/11.1-11.6, 215/387-388; 220/714, 717; 222/482
See application file for complete search history.

(56) **References Cited**

U.S. PATENT DOCUMENTS

- D162,862 S 4/1951 Morton
- 2,550,568 A * 4/1951 Kersh 215/11.1
- D259,231 S * 5/1981 Kozlow, Sr. D7/392.1
- D301,168 S 5/1989 Simmons
- D301,741 S 6/1989 Barber
- D302,039 S 7/1989 Downs
- D305,262 S 12/1989 Nichols
- D308,575 S 6/1990 Mariol
- D310,567 S * 9/1990 Fitzpatrick D24/197
- D310,568 S 9/1990 Chapin
- D310,719 S 9/1990 Donovan
- D312,878 S 12/1990 Mariol
- D313,075 S 12/1990 Mariol
- D315,212 S 3/1991 Oknuki
- D315,213 S 3/1991 Ohnuki

(Continued)

Primary Examiner—Philip S Hyder

Assistant Examiner—Susan E Krakower

(74) *Attorney, Agent, or Firm*—Pearl Cohen Zedek Latzer, LLP

(57) **CLAIM**

I claim the ornamental design for a drinking cup, as shown and described.

DESCRIPTION

FIG. 1 is a front view of the drinking cup of the present invention;

FIG. 2 is a right side view of the drinking cup shown in FIG. 1, with the left side view being a mirror image thereof;

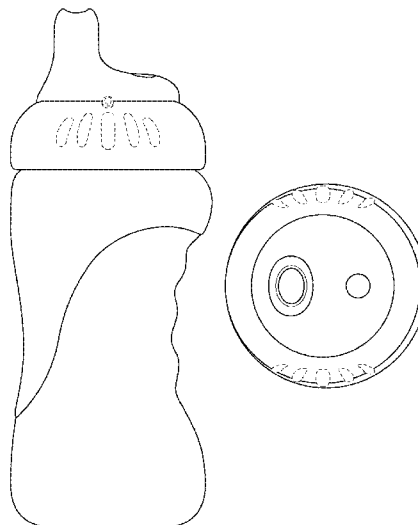
FIG. 3 is a top view of the drinking cup shown in FIGS. 1-2;

FIG. 4 is a bottom view of the drinking cup shown in FIGS. 1-3; and,

FIG. 5 is a back view of the drinking cup shown in FIGS. 1-4.

The broken lines in the figures illustrate portions of the drinking cup and form no part of the claimed design.

1 Claim, 4 Drawing Sheets



US D617,465 S

U.S. PATENT DOCUMENTS

D354,416 S	*	1/1995	Cautereels et al.	D7/507	D450,852 S	11/2001	Williams
D355,966 S		2/1995	Harrison et al.		D452,116 S	12/2001	McDonough et al.
D356,160 S		3/1995	Cautereels		D452,415 S	12/2001	McDonough et al.
D357,539 S		4/1995	Harrison et al.		D454,642 S	*	3/2002 Hakim D24/197
D357,542 S		4/1995	Vaichis		D457,640 S		5/2002 Alexandre
D358,298 S		5/1995	Brown et al.		D457,778 S		5/2002 Randolph et al.
D358,299 S		5/1995	Brown et al.		D459,155 S	*	6/2002 Atkin et al. D7/510
D358,300 S		5/1995	Brown et al.		D460,322 S		7/2002 Orr et al.
D363,781 S		10/1995	Dunn		D460,560 S		7/2002 Chomik et al.
D363,852 S		11/1995	Young		D462,449 S		9/2002 Morano
D363,990 S		11/1995	Dunn		D463,216 S		9/2002 McDonough et al.
D364,314 S		11/1995	Humphrey et al.		D463,568 S		9/2002 Leung
D364,315 S		11/1995	Humphrey et al.		D465,028 S		10/2002 Renz
D364,316 S	*	11/1995	Humphrey et al.	D7/510	D473,313 S		4/2003 Ghanem Diak
D364,317 S		11/1995	Humphrey et al.		6,568,557 B2	*	5/2003 Fusco et al. 220/714
D365,638 S		12/1995	Young		D476,849 S	*	7/2003 Randolph D7/510
D366,809 S		2/1996	Green		D476,850 S		7/2003 Featherston et al.
D366,936 S		2/1996	Young		D477,668 S		7/2003 Kipperman et al.
D368,138 S		3/1996	Hamilton		D478,669 S	*	8/2003 Wear D24/197
D368,311 S		3/1996	Cockram		D479,333 S		9/2003 Turnbough
D368,312 S		3/1996	Cockram		D479,606 S		9/2003 Randolph
D368,529 S		4/1996	Allegre		D479,946 S	*	9/2003 Jalet et al. D7/392.1
D370,828 S		6/1996	Green		D481,462 S		10/2003 De La Paz
D371,847 S		7/1996	Francisco		D483,611 S		12/2003 Diak Ghanem
D371,849 S		7/1996	Thom		D489,225 S		5/2004 Leinenweber
D375,795 S		11/1996	Astle		D495,558 S		9/2004 Tollman
D376,430 S		12/1996	Humphrey et al.		D497,431 S		10/2004 Bentley
D383,847 S		9/1997	Skinner		D497,671 S		10/2004 Renz
D385,748 S	*	11/1997	Iodice et al.	D7/510	D497,672 S		10/2004 Renz
D387,621 S		12/1997	Sullivan et al.		D498,849 S		11/2004 Randolph et al.
D389,583 S		1/1998	Thom		D499,490 S		12/2004 Conaway
D392,390 S		3/1998	Chan et al.		D501,361 S	*	2/2005 Tollman D7/510
D397,444 S		8/1998	Ibey		D504,723 S		5/2005 Randolph et al.
D397,906 S		9/1998	Briggs et al.		D504,725 S		5/2005 Randolph et al.
D404,491 S		1/1999	Scott		D511,385 S		11/2005 Lieberman et al.
D404,493 S		1/1999	Varlet		D513,932 S	*	1/2006 De Oliveira D7/534
D404,824 S		1/1999	Neiley		D520,809 S		5/2006 Randolph et al.
D405,530 S		2/1999	Manganiello et al.		D532,112 S		11/2006 Lornage
D407,269 S		3/1999	Fletcher		D532,521 S		11/2006 Struckmeier
D407,496 S		3/1999	Varlet		D538,597 S	*	3/2007 Kim D7/510
D408,220 S		4/1999	Chomik		D538,938 S	*	3/2007 Pillado D24/197
D410,548 S		6/1999	Chomik		D538,939 S		3/2007 Conaway et al.
D415,654 S		10/1999	Forrer		D542,922 S		5/2007 Worman et al.
D419,029 S		1/2000	Randolph		D542,923 S		5/2007 Merkin et al.
D420,448 S		2/2000	Brown et al.		D545,623 S	*	7/2007 Renz et al. D7/510
D421,878 S		3/2000	Roehrig		D547,875 S	*	7/2007 Pillado D24/197
D423,107 S		4/2000	Brown et al.		D548,847 S		8/2007 Dunn et al.
D426,300 S		6/2000	Conforti		D549,833 S		8/2007 Brown et al.
D426,639 S		6/2000	McGrath-Ferraioli		D551,021 S		9/2007 Rousso et al.
D428,154 S		7/2000	Shaw et al.		D551,904 S		10/2007 Rousso et al.
D429,443 S		8/2000	D'Alessio		D554,432 S		11/2007 Roth et al.
D430,676 S		9/2000	Kong		D554,760 S		11/2007 Brockhaus et al.
D434,944 S	*	12/2000	Randolph D7/510		D555,795 S		11/2007 Mallet
D435,108 S		12/2000	Chomik et al.		D559,622 S	*	1/2008 Carreno D7/510
D440,316 S		4/2001	Tollman		D564,665 S		3/2008 Kim
D440,465 S		4/2001	La Torre et al.		D579,722 S		11/2008 Sakulsacha et al.
D448,976 S		10/2001	McDonough et al.		2006/0278597 A1	*	12/2006 Daugherty et al. 215/11.1
D450,535 S		11/2001	McDonough et al.				

* cited by examiner

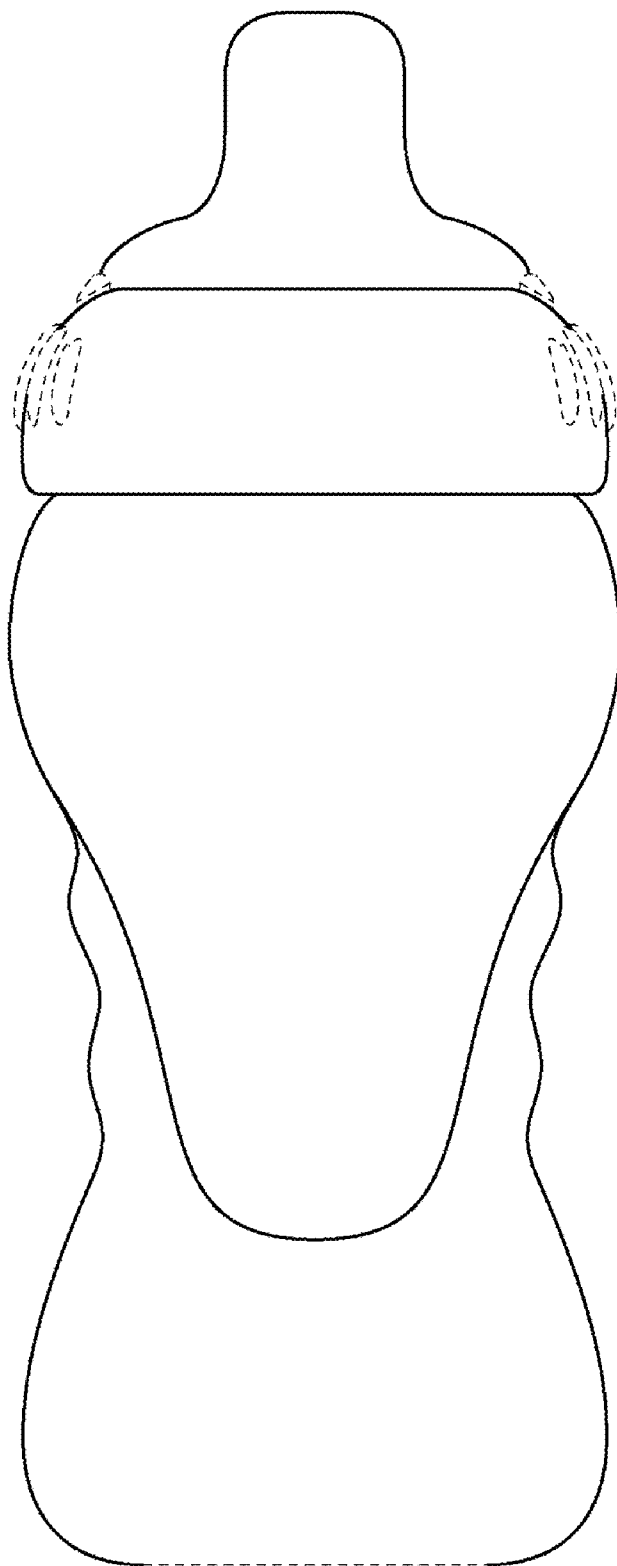


FIGURE 1

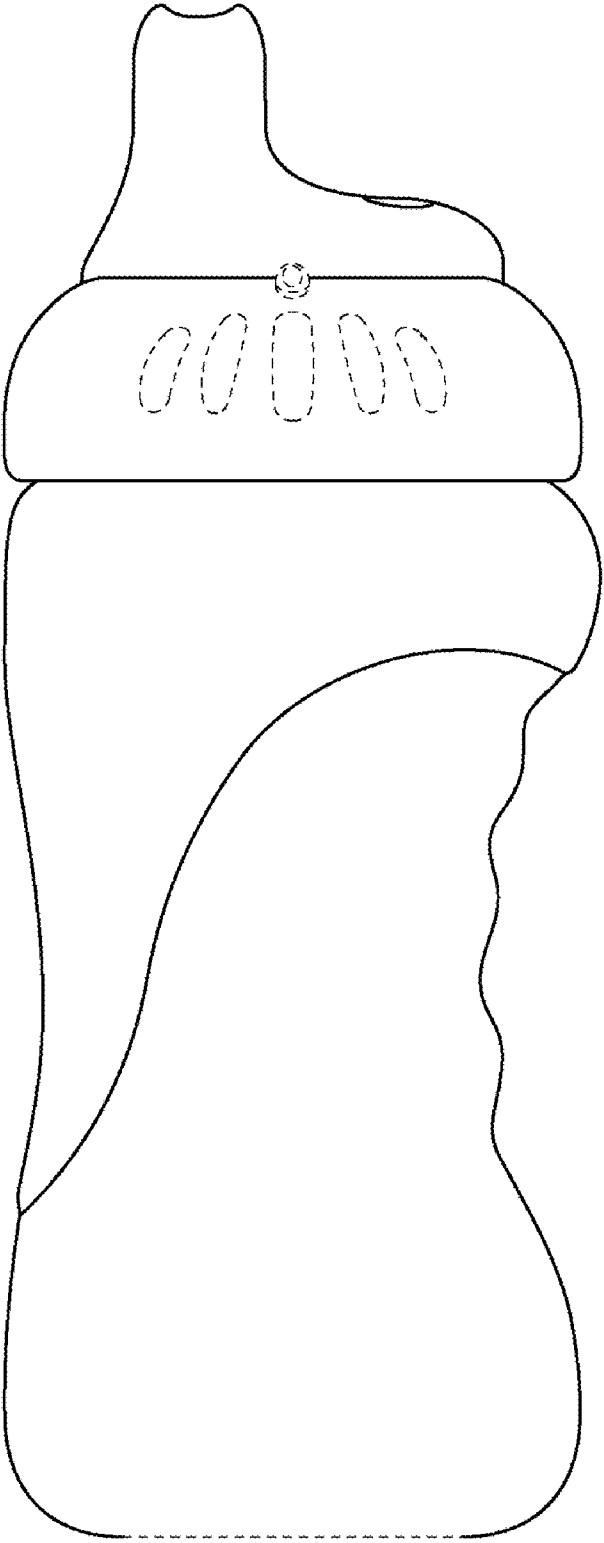


FIGURE 2

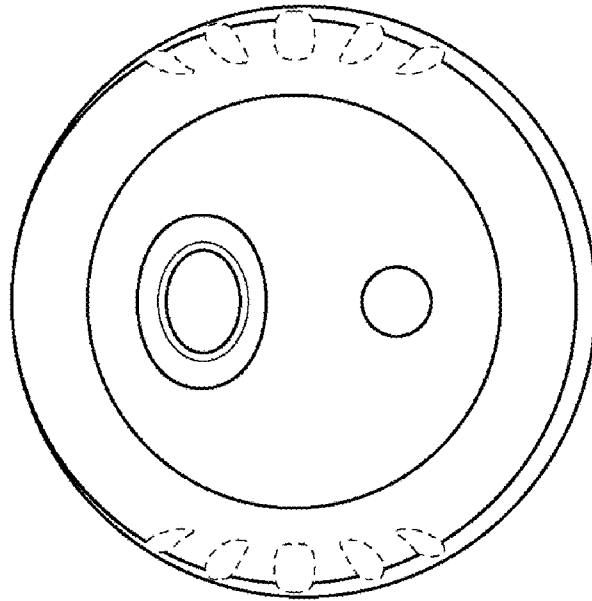


FIGURE 3

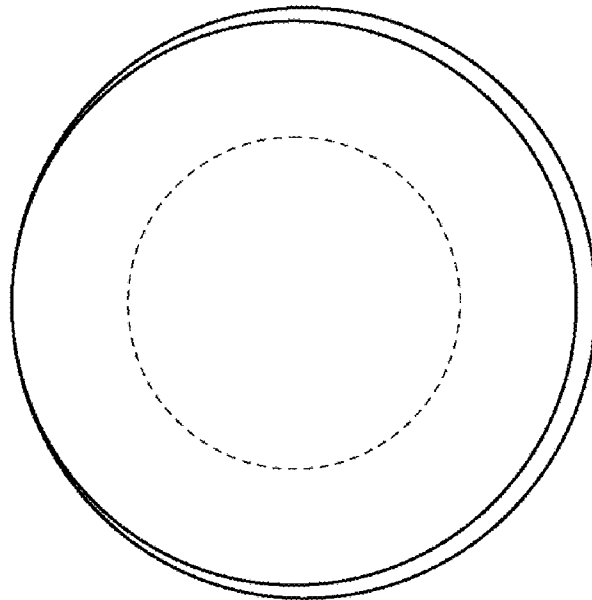


FIGURE 4

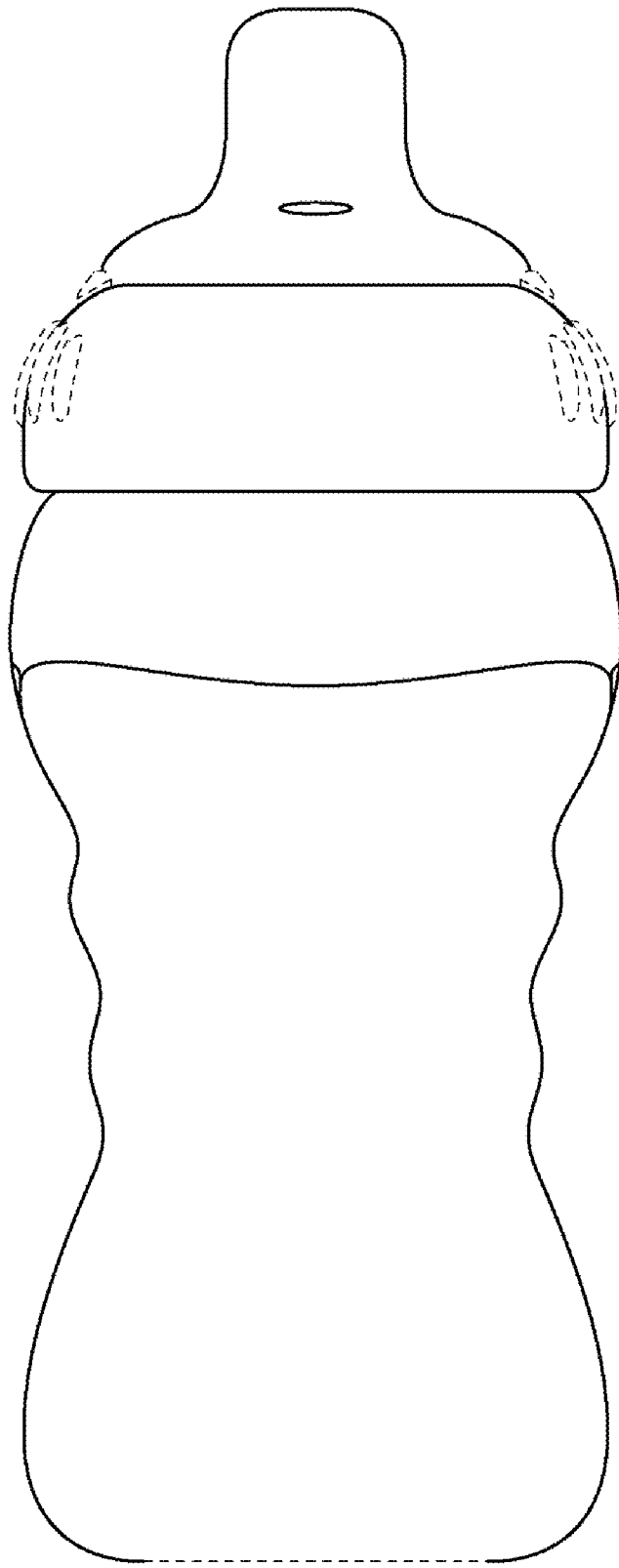


FIGURE 5