



US00D510551S

(12) **United States Design Patent**  
Mays et al.

(10) **Patent No.:** **US D510,551 S**

(45) **Date of Patent:** **\*\* Oct. 11, 2005**

(54) **HOOD**

D484,444 S \* 12/2003 Hokao ..... D12/173

(75) Inventors: **J C. Mays**, Bloomfield Hills, MI (US);  
**Larry R. Erickson**, Birmingham, MI (US)

**OTHER PUBLICATIONS**  
40 pages –Photographs of Commercial Parts.  
\* cited by examiner

(73) Assignee: **Ford Global Technologies, LLC**, Dearborn, MI (US)

*Primary Examiner*—Melody N. Brown  
(74) *Attorney, Agent, or Firm*—Gigette M. Bejin; Damian Porcari

(\*\*) Term: **14 Years**

(57) **CLAIM**

(21) Appl. No.: **29/194,561**

The ornamental design for a hood, as shown and described.

(22) Filed: **Nov. 26, 2003**

**DESCRIPTION**

(51) **LOC (8) Cl.** ..... **12-16**

(52) **U.S. Cl.** ..... **D12/173**

(58) **Field of Search** ..... D12/173, 96, 93;  
180/89.12–89.14, 89.16

FIG. 1 is a perspective view of a hood showing our new design.

FIG. 2 is a top plan view of the hood of FIG. 1; FIG. 3 is a front view of the hood of FIG. 1; and, FIG. 4 is a side view of the hood of FIG. 1.

The automobile and structure shown in broken lines in the FIG. 1 drawing view is for illustrative purposes only and forms no part of the claimed design.

(56) **References Cited**

**U.S. PATENT DOCUMENTS**

- D421,587 S \* 3/2000 Horbury et al. .... D12/173
- D446,176 S \* 8/2001 Akashi et al. .... D12/173
- D478,029 S \* 8/2003 Chiang ..... D12/173

**1 Claim, 2 Drawing Sheets**

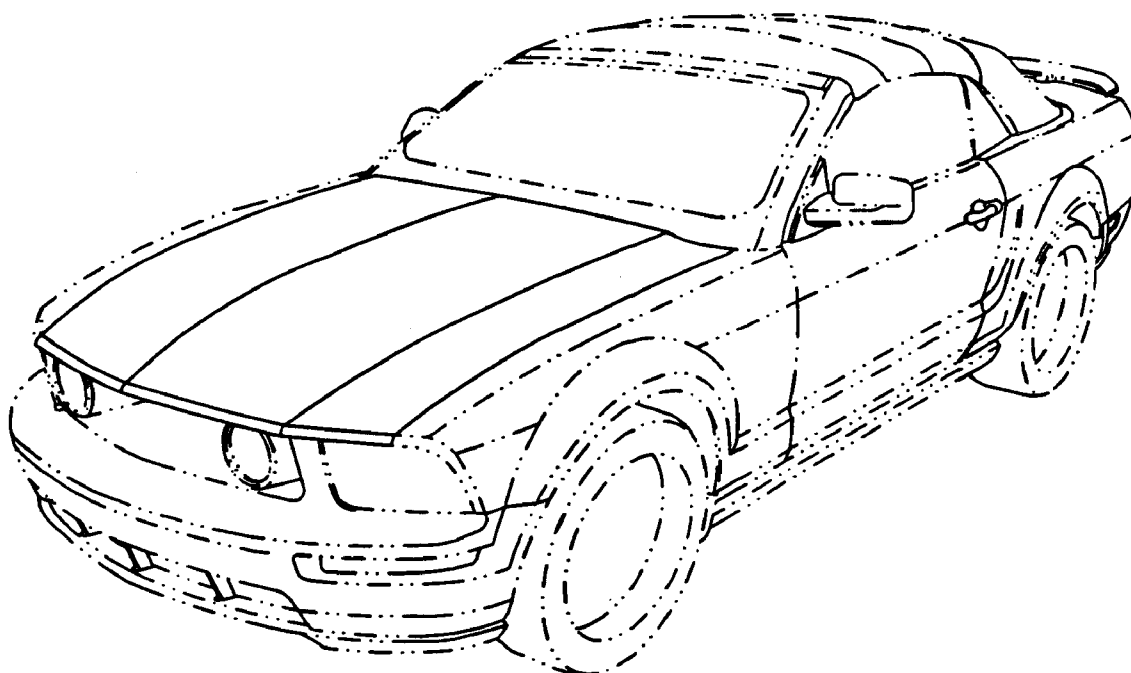


Figure 1

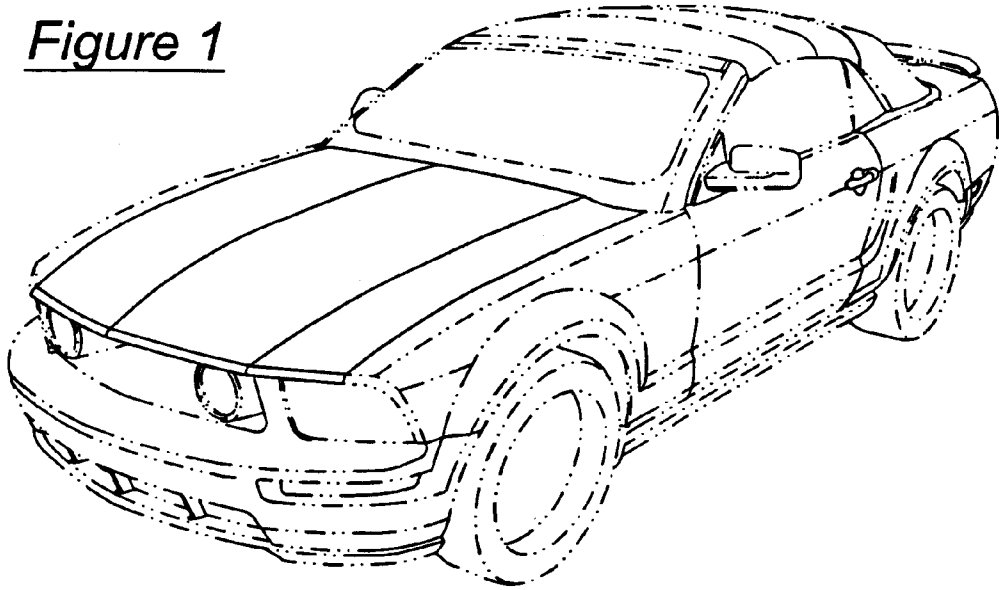
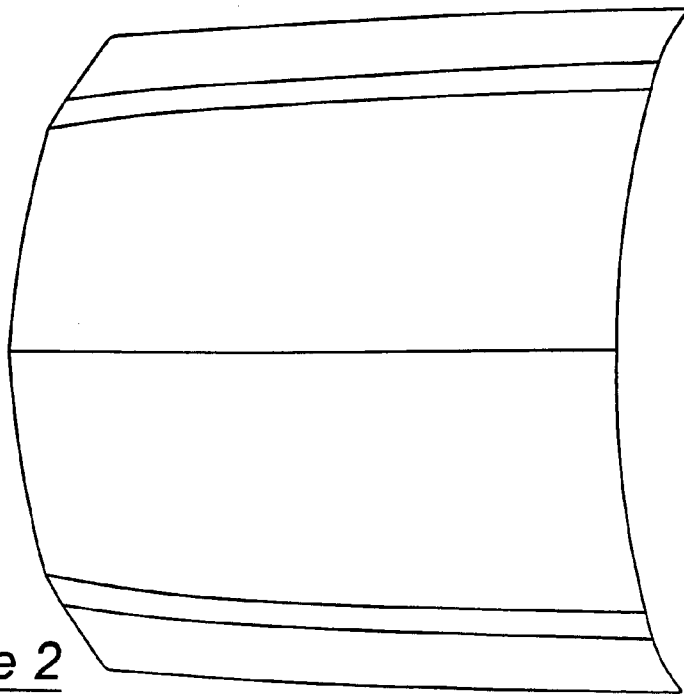


Figure 2



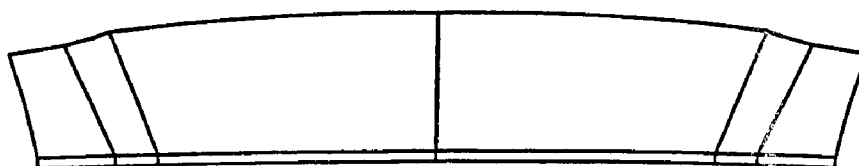


Figure 3



Figure 4