



US00D501162S

(12) **United States Design Patent** (10) **Patent No.:** **US D501,162 S**  
**Mays et al.** (45) **Date of Patent:** **\*\* Jan. 25, 2005**

(54) **FRONT BUMPER FASCIA**

OTHER PUBLICATIONS

(75) Inventors: **J. C. Mays**, Dearborn, MI (US); **Larry R. Erickson**, Birmingham, MI (US)

40 Pages—Photographs of Commercial Parts.

\* cited by examiner

(73) Assignee: **Ford Global Technologies, LLC**, Dearborn, MI (US)

*Primary Examiner*—Melody N Brown

(74) *Attorney, Agent, or Firm*—Gigette M. Bejin

(\*\*) Term: **14 Years**

(57) **CLAIM**

The ornamental design for a front bumper fascia, as shown and described.

(21) Appl. No.: **29/194,549**

(22) Filed: **Nov. 26, 2003**

**DESCRIPTION**

(51) **LOC (7) Cl.** ..... **12-16**

FIG. 1 is a perspective view of a front bumper fascia showing my new design;

(52) **U.S. Cl.** ..... **D12/169**

FIG. 2 is a top plan view of the front bumper fascia of FIG. 1;

(58) **Field of Search** ..... D12/169, 196, D12/190, 90–92, 171; 296/180.1, 180.2; 293/102, 113, 115, 120

FIG. 3 is a front view of the front bumper fascia of FIG. 1; FIG. 4 is a first side view of the front bumper fascia of FIG. 1 (the other side elevational view being a mirror image hereof); and,

(56) **References Cited**

**U.S. PATENT DOCUMENTS**

FIG. 5 is a bottom view of the front bumper fascia of FIG. 1.

The vehicle shown in broken lines in FIG. 1 is for illustrative purpose only and form no part of the claimed design.

- D349,479 S \* 8/1994 Kigoshi et al. .... D12/169
- D427,553 S \* 7/2000 Pfeiffer ..... D12/169
- D447,452 S \* 9/2001 Im ..... D12/169
- D474,720 S \* 5/2003 Tachibana et al. .... D12/169
- D483,706 S \* 12/2003 Kato ..... D12/169
- D490,032 S \* 5/2004 Ikuma et al. .... D12/169

**1 Claim, 2 Drawing Sheets**

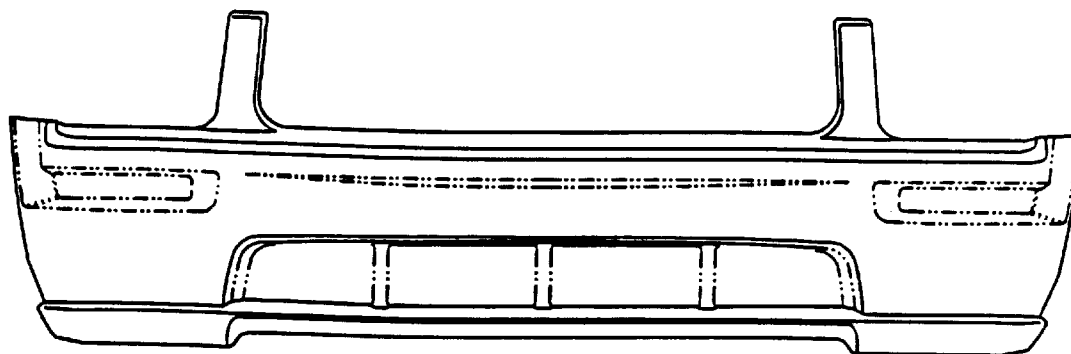


Figure 1

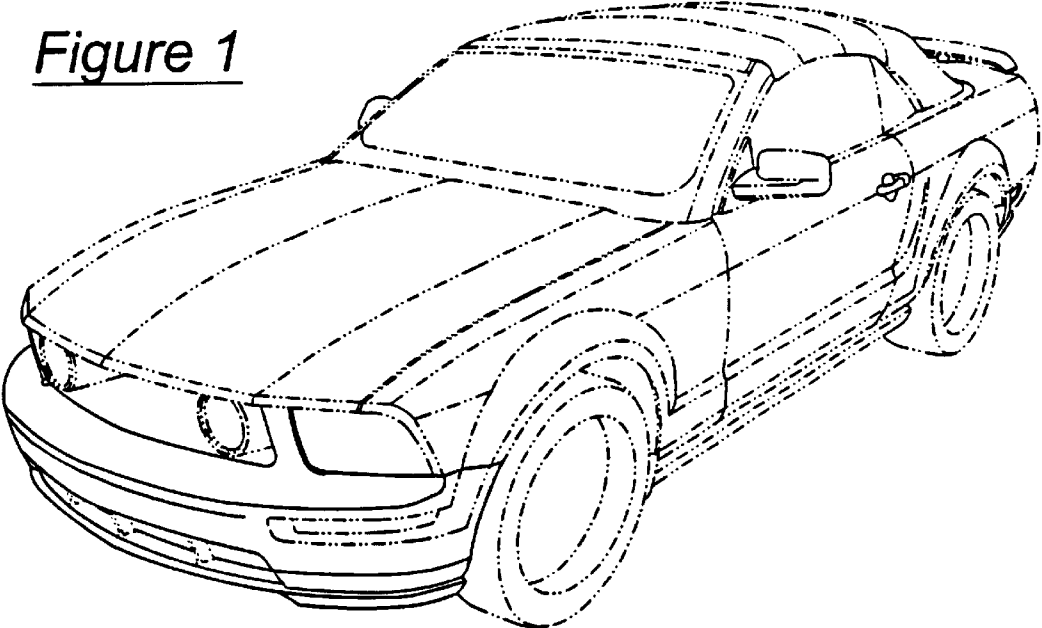
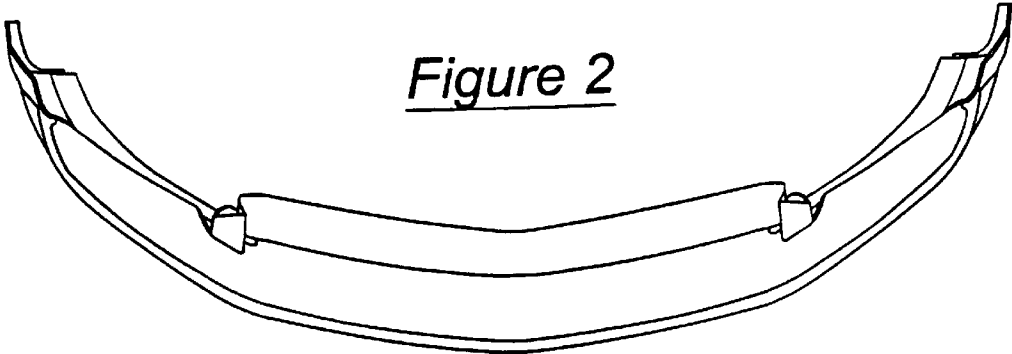


Figure 2



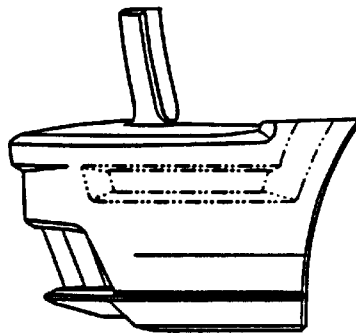
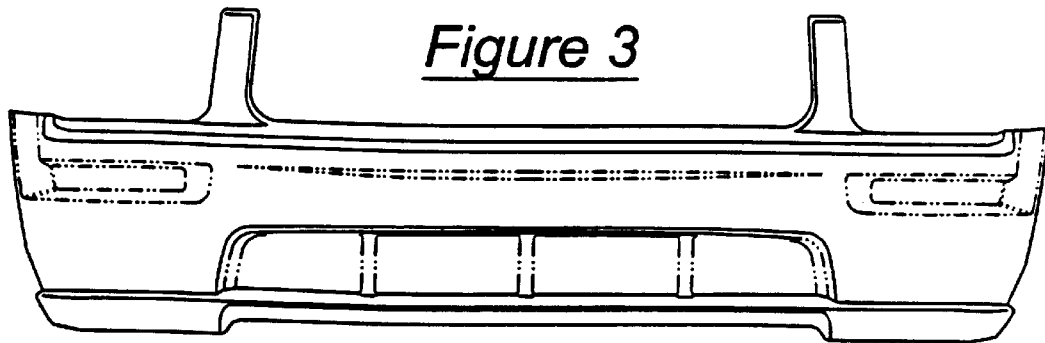


Figure 4

